



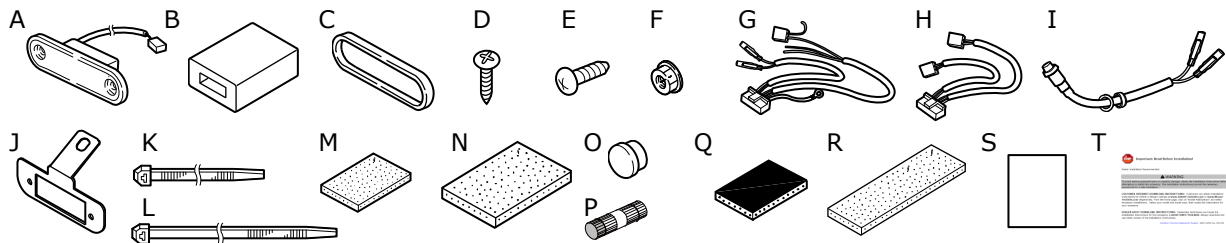
GENUINE PARTS

INSTALLATION INSTRUCTIONS

DESCRIPTION: Interior Accent Light (Multi-color)
APPLICATION: MURANO, MURANO CROSS CABRIOLET(2011)
PART NUMBER: Interior Accent Light (Multi-color) (B64D0 1SX0A)

KIT CONTENTS:

Item	Qty.	Part Description	Service Part Number
A	2	Lamp Module	
B	1	Control Unit	
C	2	Finisher	
D	2	Self Drilling Screw (M4 × 12)	
E	2	Screw (M4×14)	
F	2	Nut (M4)	
G	1	Accessory Main Harness	
H	1	Accessory Lamp Harness	
I	1	Accessory Switch	
J	1	Bracket	
K	12	Tie Wrap (I=150)	
L	2	Tie Wrap (I=200)	
M	1	Urethane Tape Small	
N	1	Urethane Tape Large	
O	4	Cap	
P	6	Posi Tap	
Q	1	Urethane Protection Tape	
R	1	Urethane Tape(Dark gray)	
S	1	Template	
T	1	Installation Instruction Replacement Template	



TOOLS REQUIRED:

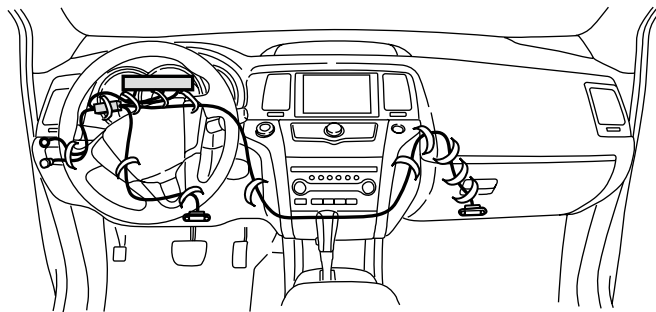
- Nylon removal tool
- Center punch
- Scissors
- Wire cutter
- Electrical tape
- Phillips screw driver
- Drill
- Flash light
- Masking tape
- 10mm Socket and driver
- Retractable cutter knife
- 100% alcohol
- Soft non linting towel
- Drill bits(3mm)
- Hole saw(15mm)
- Fish tape
- Torx wrench(T-20)

PRE-INSTALLATION WARNINGS, CAUTIONS, CRITICAL STEPS, and NOTES:

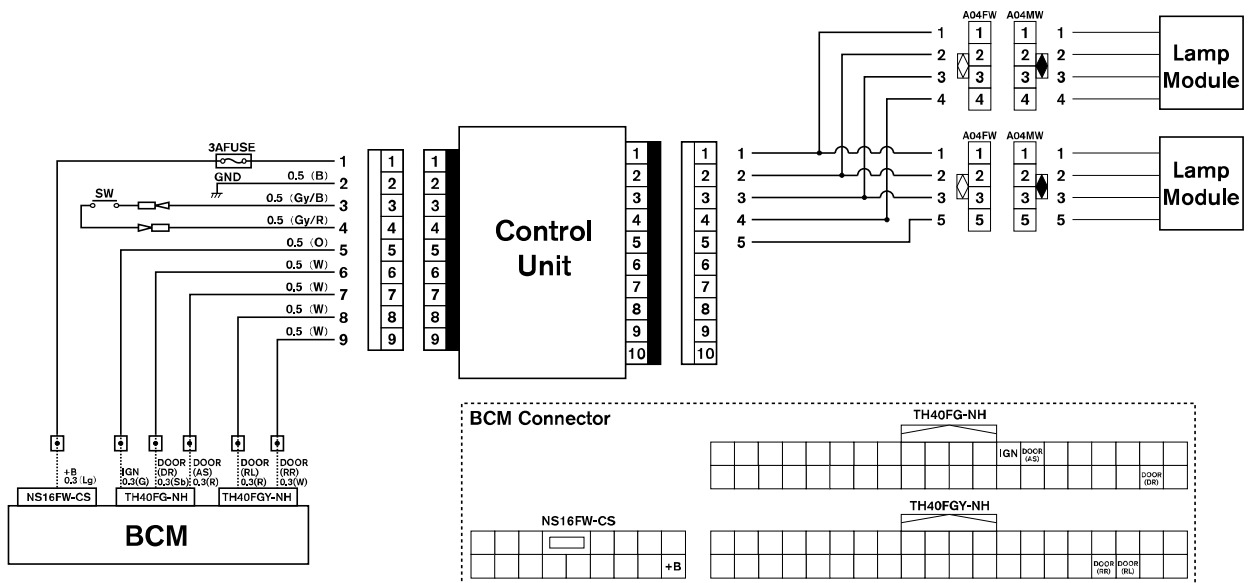
⚠ CAUTION

- Dealer Installation Recommended. Instructions refer to Service Manual.
- Please read this instruction carefully before installing this product for correct installation.
- Please DO NOT use or install the part in ways other than what is described in this instruction manual.
- If problem occurs during installation, please contact Nissan dealer where you purchased the product.
- Pay attention when removing trim parts to avoid breaking clips.

INSTALLATION OVERVIEW:



SYSTEM BLOCK DIAGRAM:

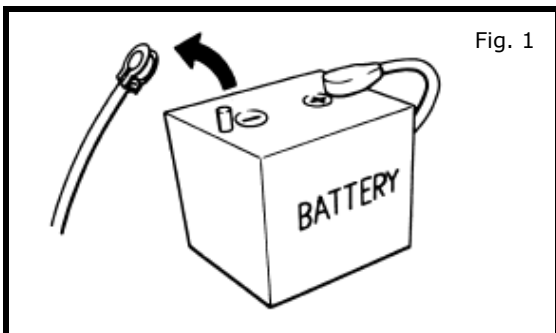


INSTALLATION PROCEDURE:

- 1) Apply parking brake
- 2) Turn ignition switch to "**ON**" position
- 3) Record the customer radio presets and other presets as required

Preset	1	2	3	4	5	6	7	8

- 4) Put shift lever in "**P**" position for A/T and CVT or "**1st**" for M/T
- 5) Turn ignition switch to "**OFF**" position
- 6) Use seat and floor protection.
- 7) Open the hood of the vehicle.
- 8) This part is to be installed at a vehicle body surface temperature of 65-100°F.
- 9) Do not wash the vehicle for 24 hours after installing to prevent the double-sided tape from peeling.



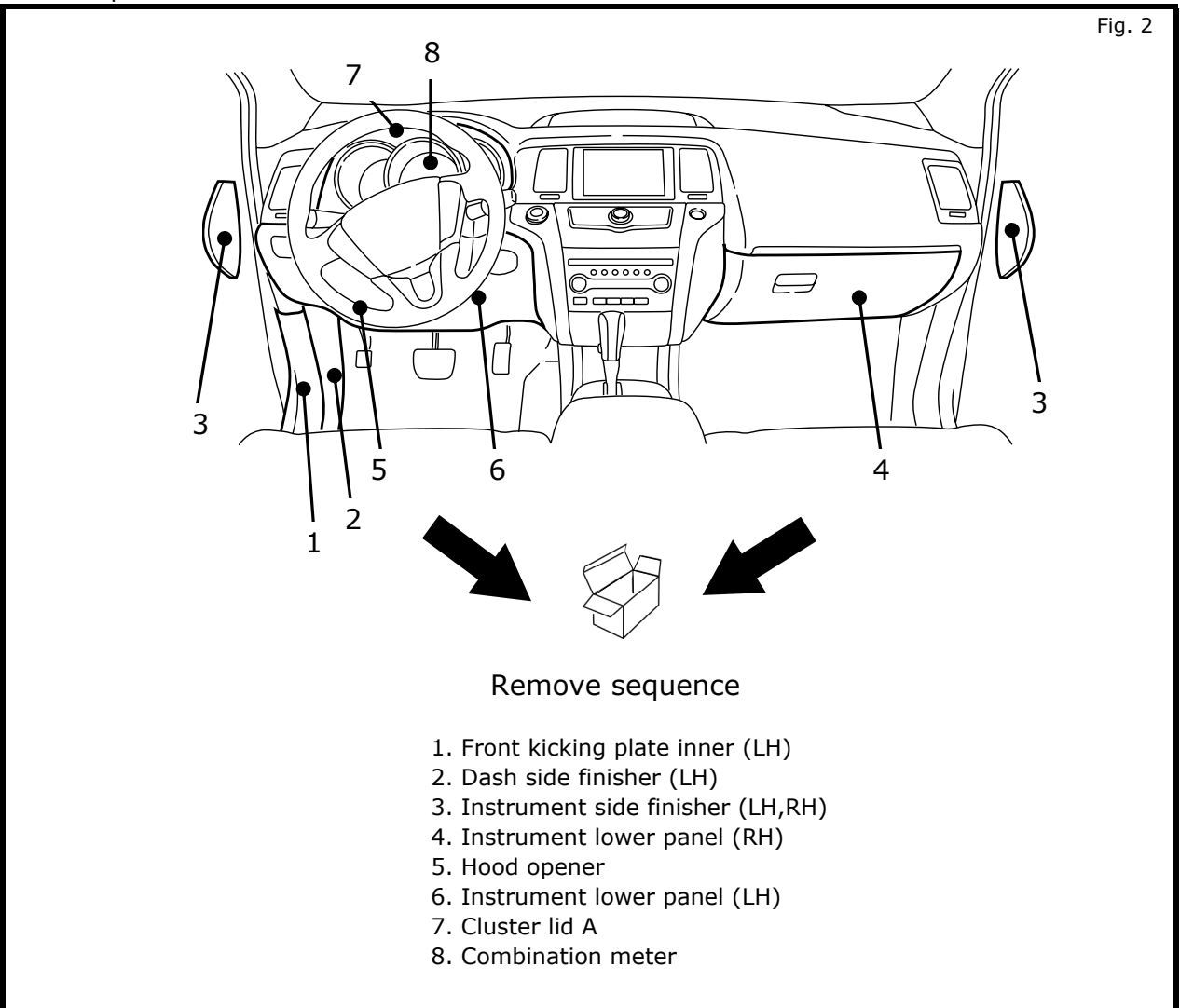
- 10) Disconnect the negative battery terminal.
 - a) Lower both the driver and passenger windows to prevent damage.
 - b) Disconnect the negative battery terminal.

INSTALLATION PROCEDURE:

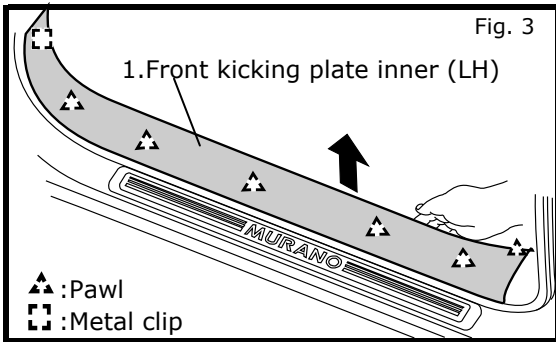
⚠ CAUTION

- Take care not to scratch or damage any component during the removal or re-installation process.
- Trim pieces found to have witness marks or broken clips are not to be reinstalled.

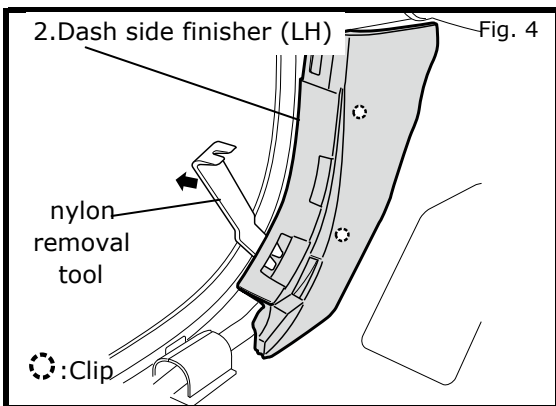
11) Remove the following vehicle parts in the sequence shown below. Store these re-usable parts in a safe and protected manner.



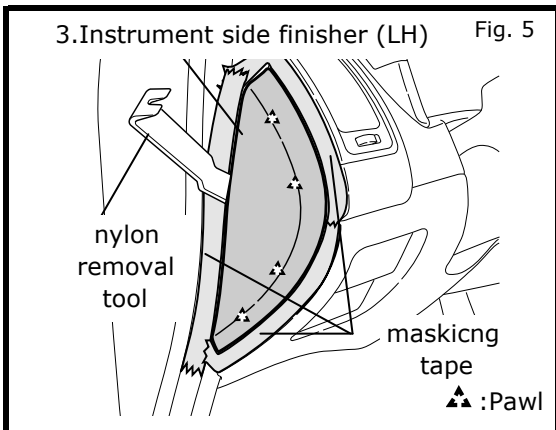
INSTALLATION PROCEDURE:



- 12) Front kicking plate inner (LH) removal
- Pull up Front kicking plate inner (LH) by hand, and disconnect pawls. Shown in Fig 3.
 - Remove Front kicking plate inner (LH). Shown in Fig 3.

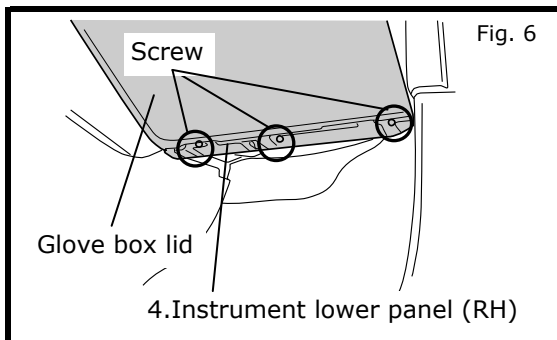


- 13) Dash side finisher (LH) removal
- Detach Dash side finisher (LH) mounting clips with nylon removal tool, then remove Dash side finisher (LH). Shown in Fig 4.

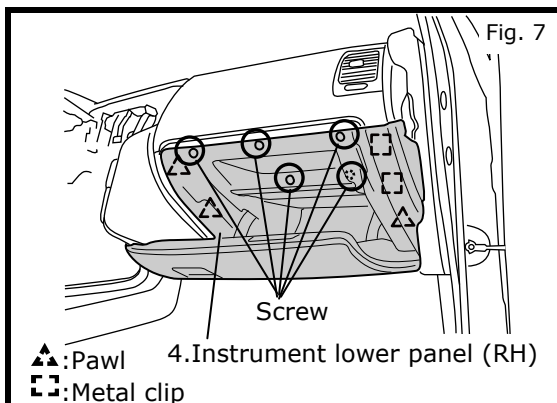


- 14) Instrument side finisher(LH) removal
- Apply masking tape to protect trim parts from scratch as shown in Fig 5.
 - Detach Instrument side finisher (LH) mounting clips with nylon removal tool, then remove Instrument side finisher (LH). Shown in Fig 5.
 - Repeat steps 14) for RH side of vehicle.

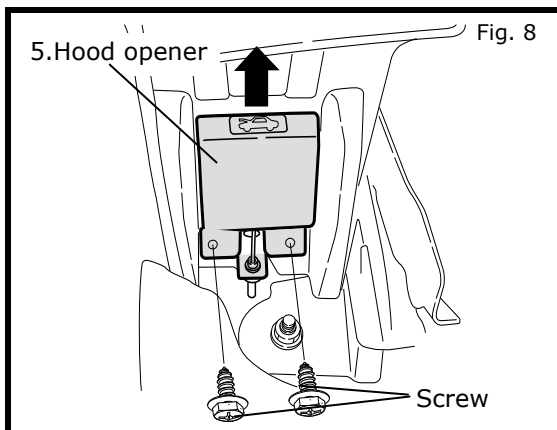
INSTALLATION PROCEDURE:



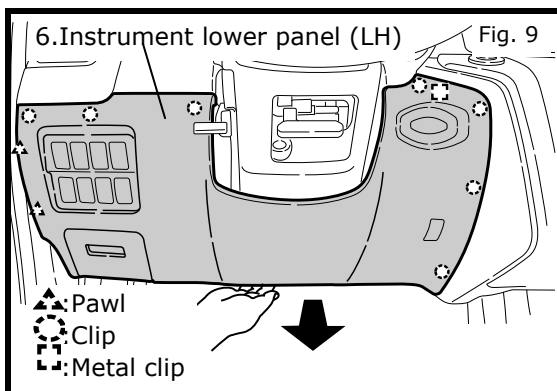
- 15) Remove instrument lower panel RH.
- a) Remove instrument lower panel RH fixing screws. Shown in Fig 6.



- b) Open the glove box lid. Remove instrument lower panel RH fixing screws. Pull back instrument lower panel RH. Disconnect harness connector. Shown in Fig 7.

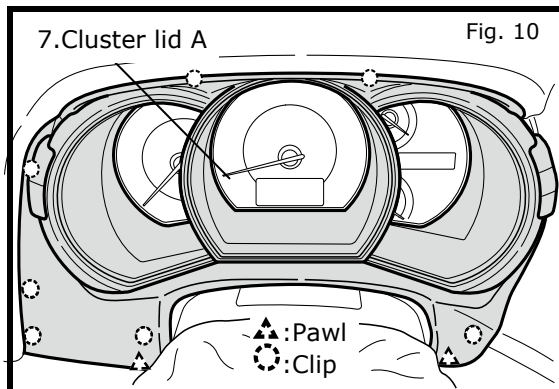


- 16) Hood opener removal
- a) Remove Hood opener mounting screws with 10mm socket and driver, then remove Hood opener. Shown in Fig 8.



- 17) Instrument lower panel (LH) Removal
- a) Pull downward, disengage pawls and clips and metal clip by hand.
 - b) Pull back Instrument lower panel (LH). Shown in Fig 9.

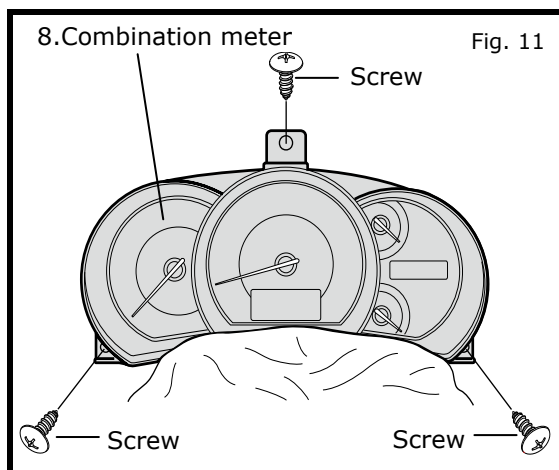
INSTALLATION PROCEDURE:



- 18) Cluster lid A removal
- Disengage mounting clips and pawls, starting from bottom side, then remove Cluster lid A, Shown in Fig 10.
 - Disconnect harness at LH.

⚠ CAUTION

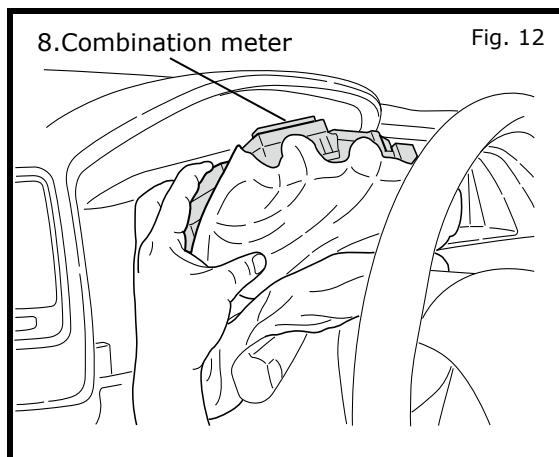
- Cover steering column cover with cloth to avoid contact with meter bracket that may cause scratches or damages.



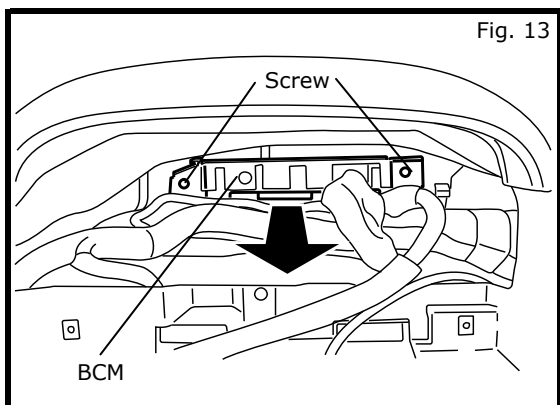
- 19) Combination meter removal
- Remove Combination meter mounting screws with plus screw driver. Shown in Fig 11.
 - Disconnect harness at LH.
 - Remove Combination meter. Shown in Fig 12.

⚠ CAUTION

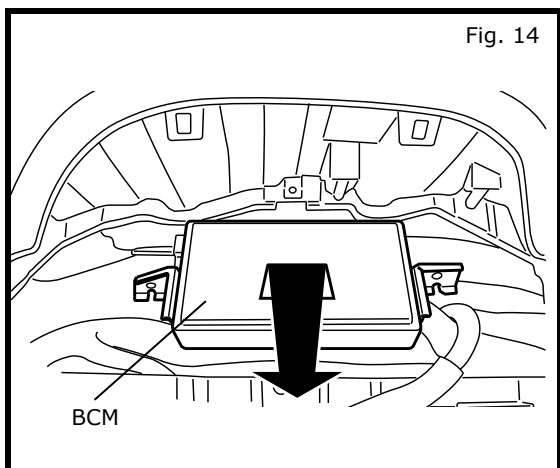
- Cover meter with cloth to avoid contact with meter bracket that may cause scratches or damages.



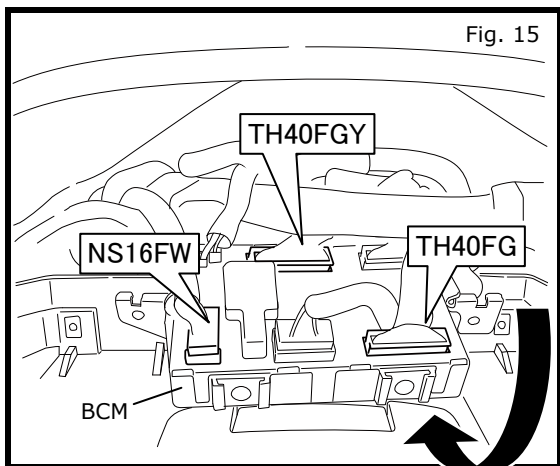
INSTALLATION PROCEDURE:



- 20) Remove two bolts mounting BCM with a Phillips screw driver tool, and pull BCM out shown in Fig 13.



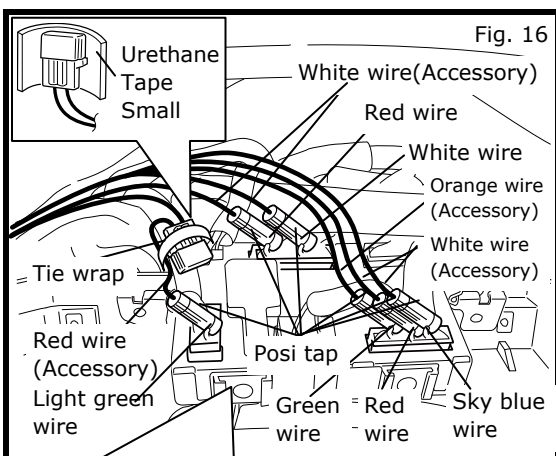
- 21) Turn BCM to access back side shown in Fig 14.



- 22) **MURANO Only**
Disconnect connectors(NS16FW),(TH40FGY),
(TH40FG) from BCM show in Fig 15.

MURANO CONVERTIBLE Only
Disconnect connectors(NS16FW),(TH40FG),
from BCM show in Fig 15.

INSTALLATION PROCEDURE:



23) Wrap the Fuse case in Accessory Main Harness with Urethane Tape Small.

24) Tap Accessory Main Harness

CAUTION

- For MURANO, follow the below instructions from "a)" to "g)"
- For MURANO CONVERTIBLE, follow the below instructions from "a)" to "e)"

a) See steps 25)~29) for wire tap installation instructions.

b) Tap Accessory Orange wire to Green wire of Green BCM connector, terminal #12. Shown in Fig 16.

c) Tap Accessory White wire to Sky blue wire of Green BCM connector, terminal #39. Shown in Fig 16.

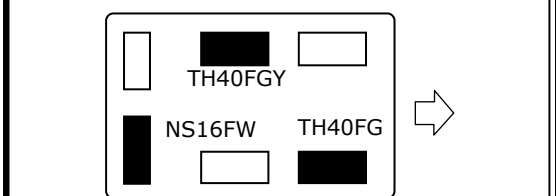
d) Tap Accessory White wire to Red wire of Green BCM connector, terminal #13. Shown in Fig 16.

e) Tap Accessory Red wire to Light green wire of White BCM connector, terminal #16. Shown in Fig 16.

f) **MURANO Only**
Tap Accessory White wire to White wire of Gray BCM connector, terminal #37. Shown in Fig 16.

g) **MURANO Only**
Tap Accessory White wire to Red wire of Gray BCM connector, terminal #38. Shown in Fig 16.

h) **MURANO CONVERTIBLE Only**
Please fix two white remaining wires in the Accessory Main Harness with Electrical tape. Shown in Fig 17.



TH40FG

1	2	3	4	5	6	7	8	9	10	11	12	13	14	15	16	17	18	19	20
21	22	23	24	25	26	27	28	29	30	31	32	33	34	35	36	37	38	39	40

Vehicle Harness			Accessory Harness	Signal
Connector	Number	Color		
TH40FG	12	G	Y	IGN
	13	R	W	
	39	SB	W	DOOR

NS16FW

1	2	3	4	5	6	7
8	9	10	11	12	13	14
15	16	17	18	19	20	21

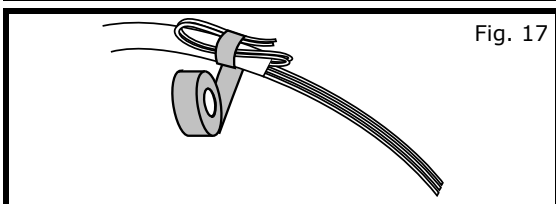
Vehicle Harness			Accessory Harness	Signal
Connector	Number	Color		
NS16FW	16	LG	R	+B

MURANO Only

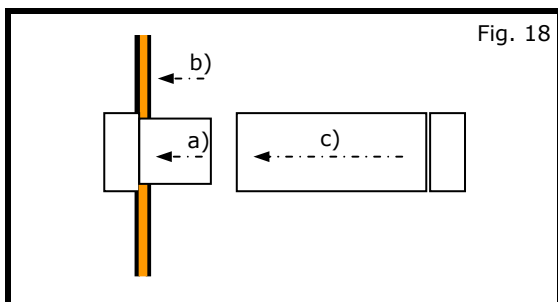
TH40FGY

1	2	3	4	5	6	7	8	9	10	11	12	13	14	15	16	17	18	19	20
21	22	23	24	25	26	27	28	29	30	31	32	33	34	35	36	37	38	39	40

Vehicle Harness			Accessory Harness	Signal
Connector	Number	Color		
TH40FGY	37	W	W	DOOR
	38	R	W	



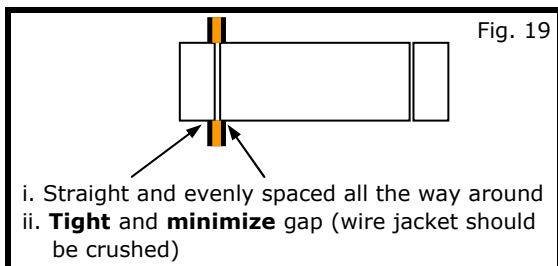
INSTALLATION PROCEDURE:



- 25) Tap vehicle wire.
 a) Remove cap (slot side) from tap body.
 b) Slide cap around vehicle wire.
 c) Tighten the tap **TIGHT** with finger pressure.

NOTE:

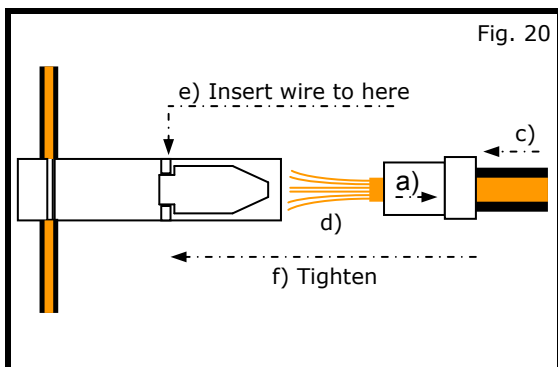
Do not re-use the tap for subsequent re-installation. Figures are not to scale.



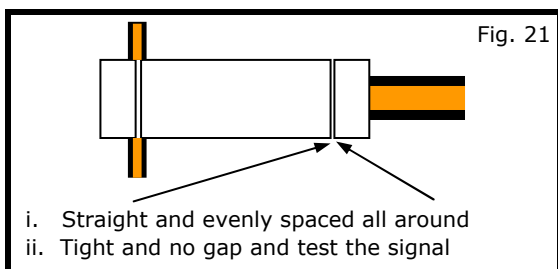
- 26) Inspect the tap to ensure correct installation.

NOTE:

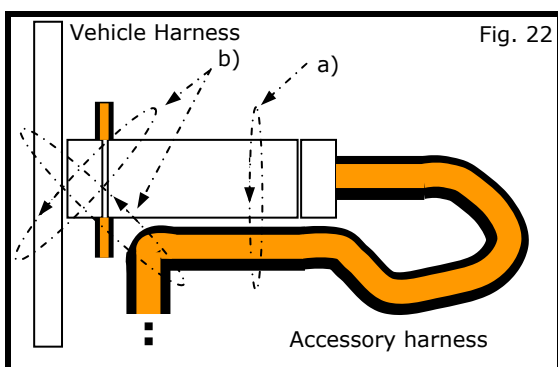
Avoid putting pressure on the vehicle wire and tap for the remainder of the installation.



- 27) Tap accessory wire.
 a) Remove tap (non-pierce) side from tap.
 b) Remove the protective stub from the wire.
 c) Insert wire through the non-pierce side opening.
 d) Spread the individual strands into fan shape.
 e) Insert wire into the tap body and ensure that it is all the way in.
 f) Tighten the tap **TIGHT** with finger pressure.

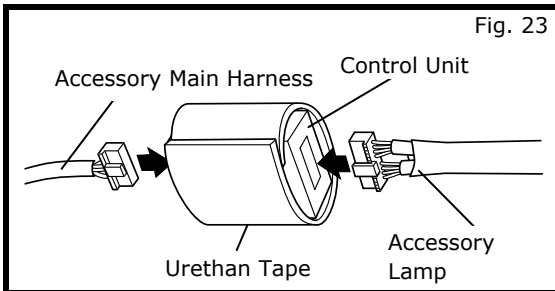


- 28) Confirm the tapped accessory wire.
 a) Inspect the tap to ensure correct installation.
 b) Test the signal to ensure that it is working properly.



- 29) Secure the tap.
 a) Secure the tapped wire on the non-pierce side to the body of the tap with electrical tape (≥ 2 revolutions).
 b) Secure the body to harness where vehicle wire is being tapped with electrical tape (≥ 2 revolutions).

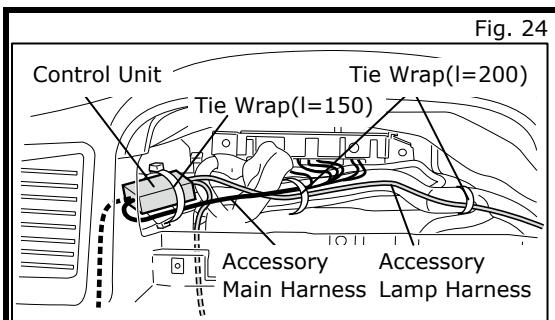
INSTALLATION PROCEDURE:



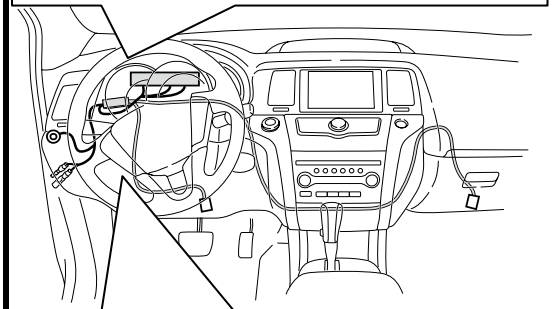
- 30) Attach the Urethane Tape Large to the Control Unit, and connect Accessory Main Harness and Accessory Lamp Harness. Shown in Fig 23.

CAUTION

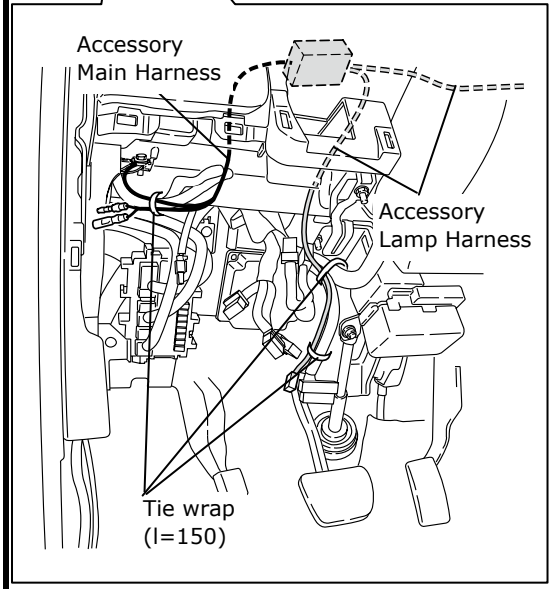
- Please remove any grease from the area where the Urethan tape is to be attached.



- 31) Attach the Control Unit to vehicle harness with tie wrap, at the position shown in Fig 24. using the Tie Wrap(l=150) (2pieces)

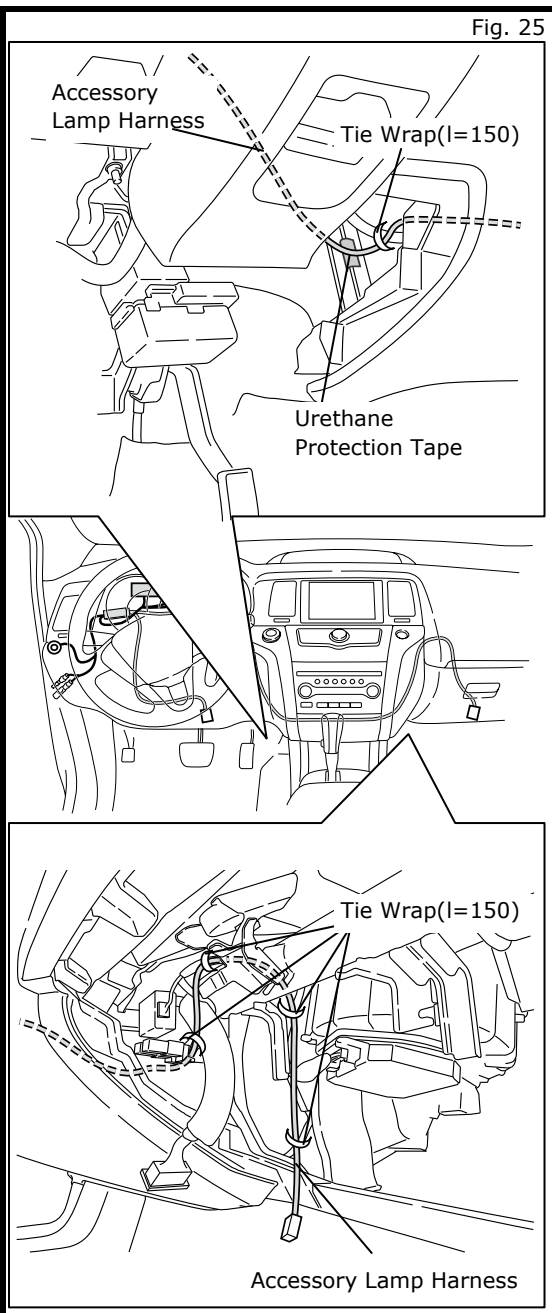


- 32) Attach the Accessory Main Harness, Accessory Lamp Harness to vehicle harness at the position shown in Fig 24. using the Tie Wrap(l=200) (2pieces)



- 33) Attach the Accessory Main Harness, Accessory Lamp Harness to vehicle harness at the position shown in Fig 24, using the Tie Wrap(l=150)(3pieces)

INSTALLATION PROCEDURE:



- 34) Attach Urethane Protection Tape on the edge of the vehicle bracket in order to avoid interference with the edge area from the harness. Shown in Fig 25.

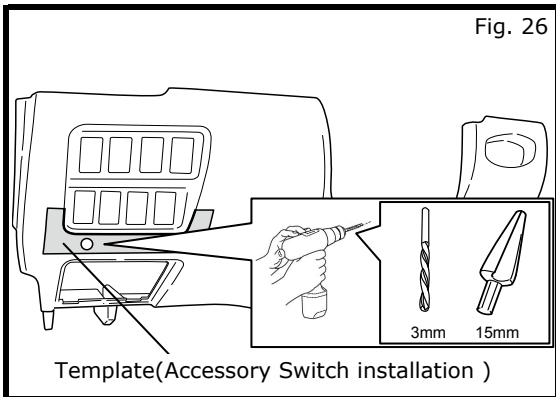
⚠ CAUTION

- Please remove any grease from the area where the Urethane tape is to be attached.

- 35) Attach the Accessory Lamp Harness to vehicle harness at the position shown in Fig 25, using the Tie Wrap(l=150) (1piece).

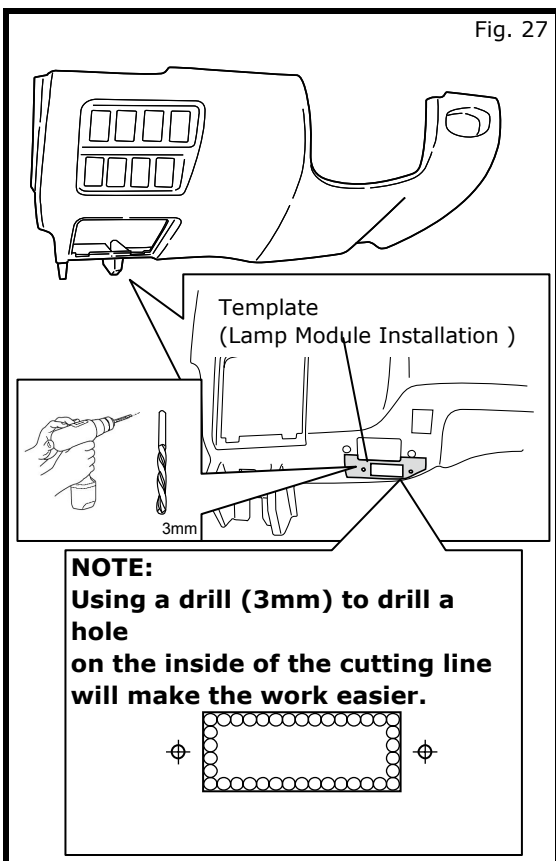
- 36) Attach the Accessory Lamp Harness to vehicle harness at the position shown in Fig 25, using the Tie Wrap(l=150)(4pieces).

INSTALLATION PROCEDURE:



37) Align the Accessory Switch installation Template with the instrument lower panel (LH) and apply masking tape to hold the Template(Accessory Switch Installation). Shown in Fig 26.

38) After marking a mark at the center position of the 15mm hole using a hole punch, remove the Template and tape, and drill a hole in the order of drill 3mm → 15mm.



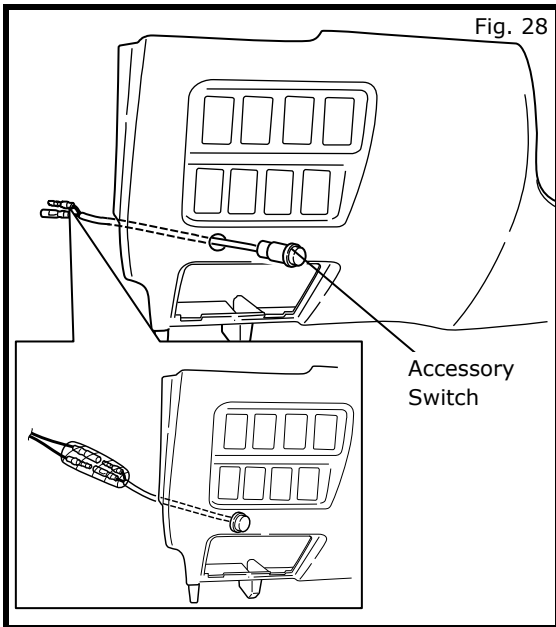
39) Align the Template(Lamp Module Installation) with the instrument lower panel (LH) and apply masking tape to hold the Template(Lamp Module Installation). Shown in Fig 27.

40) Make a mark for the center position of the 3mm hole(two locations) using a punch,etc., and after making a mark just like the square whole using a cutter, remove the Template and tape. Shown in Fig 27.

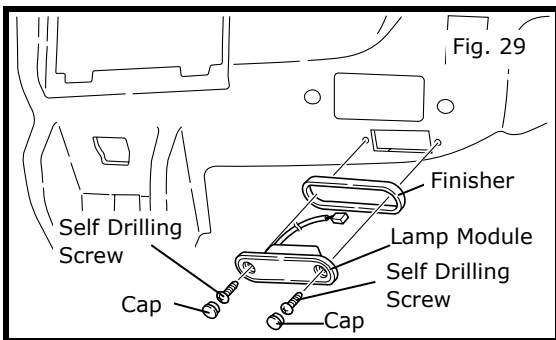
41) Drill a hole at the location of the mark using a drill (3mm)

42) Cut out the mark area for the square hole using a cutter. Shown in Fig 27.

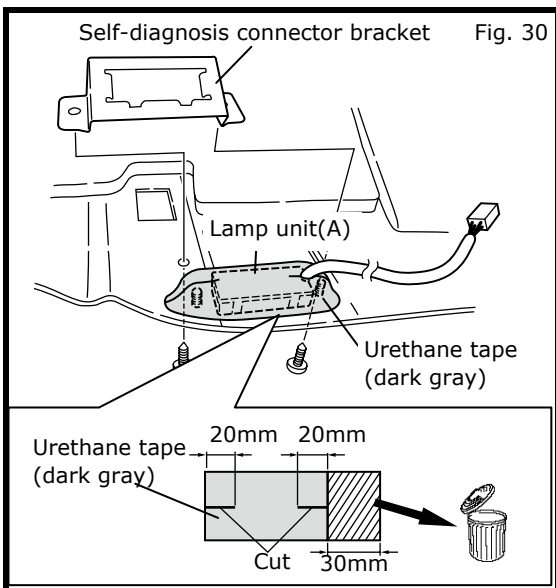
INSTALLATION PROCEDURE:



- 43) Press Accessory Switch into the Switch installation hole of the processed switch instrument lower panel(LH) until you hear a "click" sound. Shown in Fig 28.
- 44) Connect Accessory Switch which was attached to the instrument lower panel(LH) and the bullet terminal of Accessory Main Harness and wrap with an insulation tape. Shown in Fig 28.



- 45) Install Lamp Module in the processed instrument lower panel(LH)(for the driver side). Shown in Fig 29.



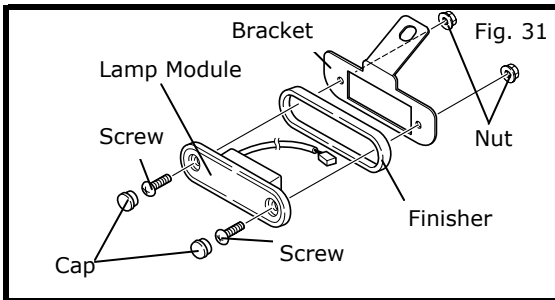
- 46) Remove the self-diagnosis connector bracket.
- 47) Cut both ends of the Urethane Tape(dark gray) as shown in the fig 30. and attach to the back side of Lamp Module.

CAUTION

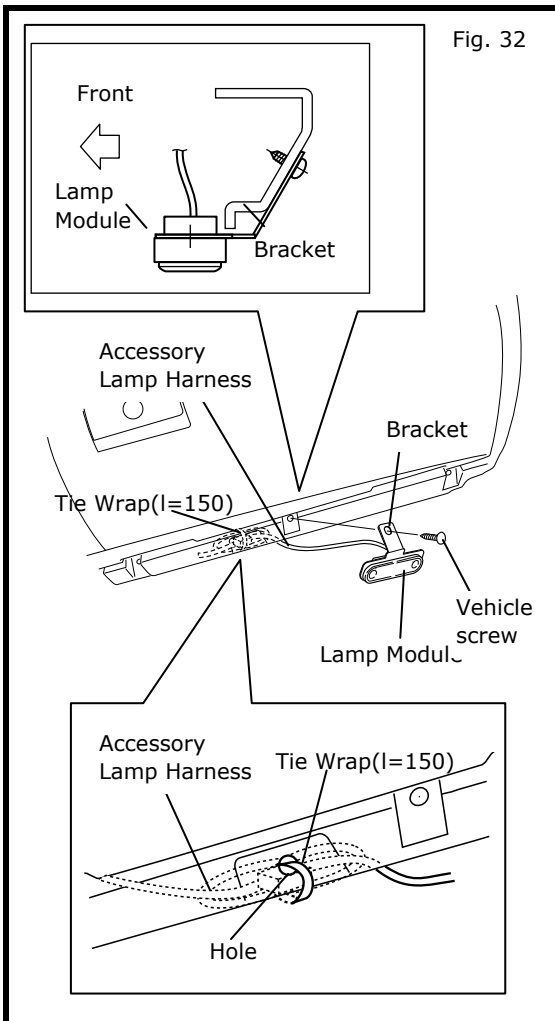
- Please completely conceal the transparent area of the back side of the Lamp unit, and attach so that there will be no leakage of light.

- 48) Connect Lamp Module and Accessory Lamp Harness, and replace the instrument lower panel(LH).

INSTALLATION PROCEDURE:



- 49) Install Lamp Module on Bracket.
(for passenger side)
Shown in Fig 31.

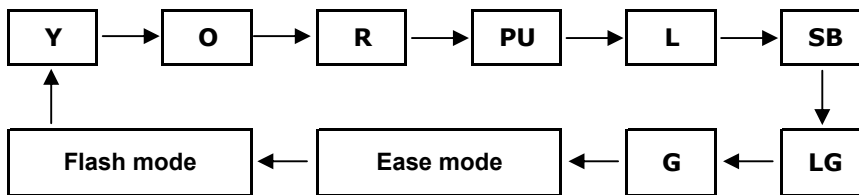


- 50) Temporarily replace the instrument lower panel(RH),
and install Lamp Module using a vehicle screw
for securing the instrument lower panel(RH).
(for passenger side)

- 51) Connect Lamp Module and Accessory Lamp
Harness, bundle the connector and the
extra length, to glove box hole
and fasten using Tie Wrap(l=150).
Shown in Fig 32.

ACCESSORY CHECK:

- Connect the battery negative terminal and tighten the nut to appropriate torque.
- Check all **Critical Installation Steps**.
- Check all **torque** values.
- Verify all wiring is secure and not exposed.
- Trim all excess cable ties flush.
- Turn ignition switch to **"ON"** position.
- Turn ignition switch **"ON"**, and by pressing Accessory Switch for a long time (for about one second or more),[ON/OFF switching]
- With the ignition Switch in the **"ON"** position, by pressing Accessory Switch for long time (for about one second or more),[ON/OFF switching]
- Additionaly the Magical Illumination will function as a "Foot Well Lamp" which turn's on when front door or rear door are open. After doors are closed,"White color illumination" will change with in 5 seconds previous set color mode.
- Illumination/pattern mode setting
 - 1.Fixed color mode
Color only changes when Accessory switch is pushed(see sequense diagram)
 - 2.Ease mode
Color will changes gradually from are color toan other (see sequense diagram)
 - 3.Flash mode
Color will changes instantly from are color toan other (see sequense diagram)



Y=Yellow PU=Purple LG=Light Green
 O=Orange L=Blue G=Green
 R=Red SB=Bright Blue

RE-INSTALLATION OF REMOVED PARTS:

- Re-install all removed vehicle parts. Refer to the vehicle service manual for more details.

⚠ CAUTION

Use caution when re-installing interior components to avoid damage, scratches, or breaking of mounting clips. Refer to the vehicle service manual for more information.

FINAL INSPECTION:

- Verify re-installed trim parts for proper flush fit (no gap, no waviness, etc.).
- Verify all clips are fully engaged and locked.
- Verify re-installed trim parts are free from cracks, scratches or stress marks.
- Verify vehicle headliner, seat, steering wheel, center console, floor carpets, etc. are not soiled.
- Verify interior and exterior is not damaged.
- Turn ignition switch to "**ON**" and confirm proper operation of Vehicle Systems
 - If equipped, verify all window and sunroof one touch operation and perform the reset procedure if necessary. Refer to the vehicle service manual for more details.
 - Confirm proper audio function (AM, FM, SAT, CD and AUX).
- Re-program radio presets and other vehicle settings to the recorded settings.
- Start engine and verify that there are no new Diagnostic Trouble Codes. Turn ignition switch to
- Place the Owner Manual, Quick Reference Guide, and/or other Manual in the glove box.