



GENUINE PARTS

INSTALLATION INSTRUCTIONS

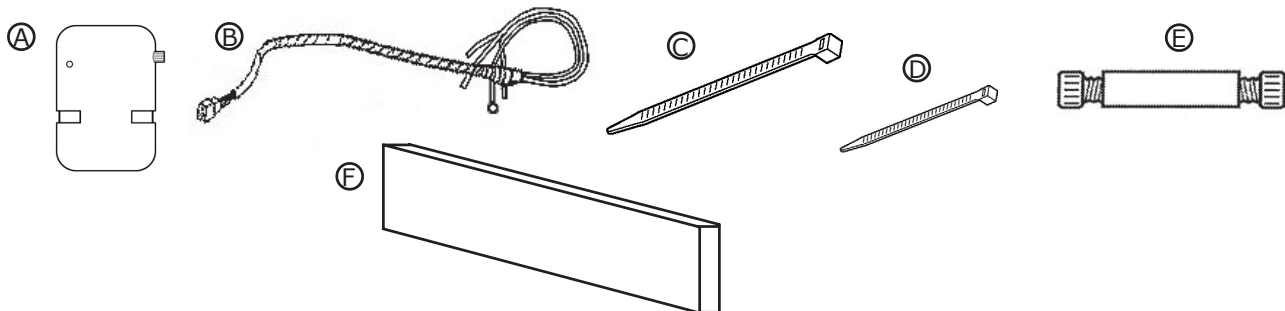
1. DESCRIPTION: Vehicle Alarm Impact Sensor

2. APPLICATION: Rogue (2008)

3. PART NUMBER: 999M2 GV000 OR 999M2 VW005

4. KIT CONTENTS:

Item	QTY	Description
A	1	Impact Sensor
B	1	Harness
C	1	14" Tie Wrap
D	3	8" Tie Wrap
E	3	Posi-Taps®
F	1	Foam Pad 8 1/2" x 1"



5. TOOLS REQUIRED:

1. Philips screw driver (#2 short)
2. Clip remover
3. Plastic pry bar (P/N J-46534 or equivalent)
4. 1/4" driver w/ 10mm socket
5. Electrical Tape

6. PRE-INSTALLATION CAUTIONS/NOTES:

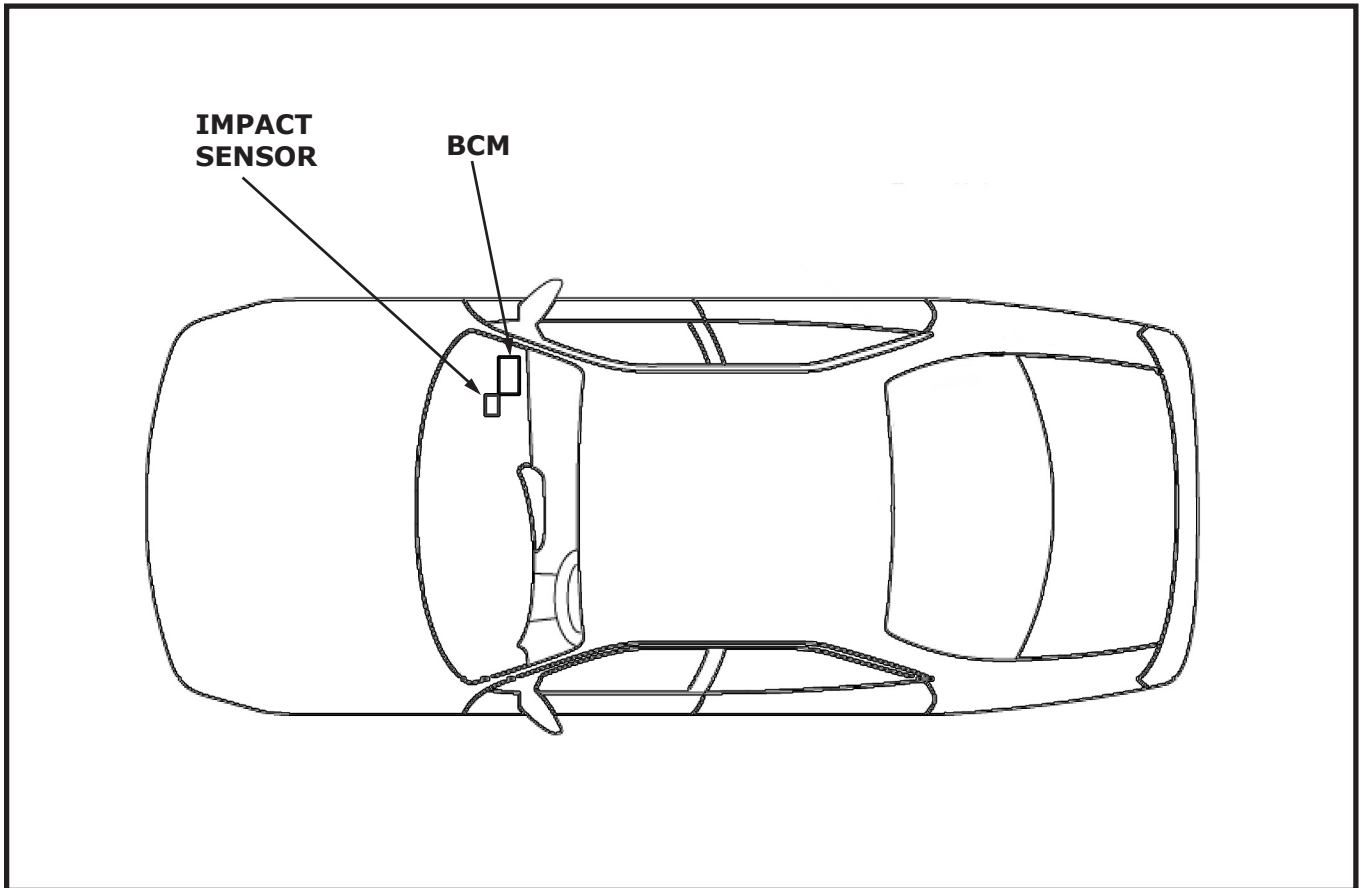
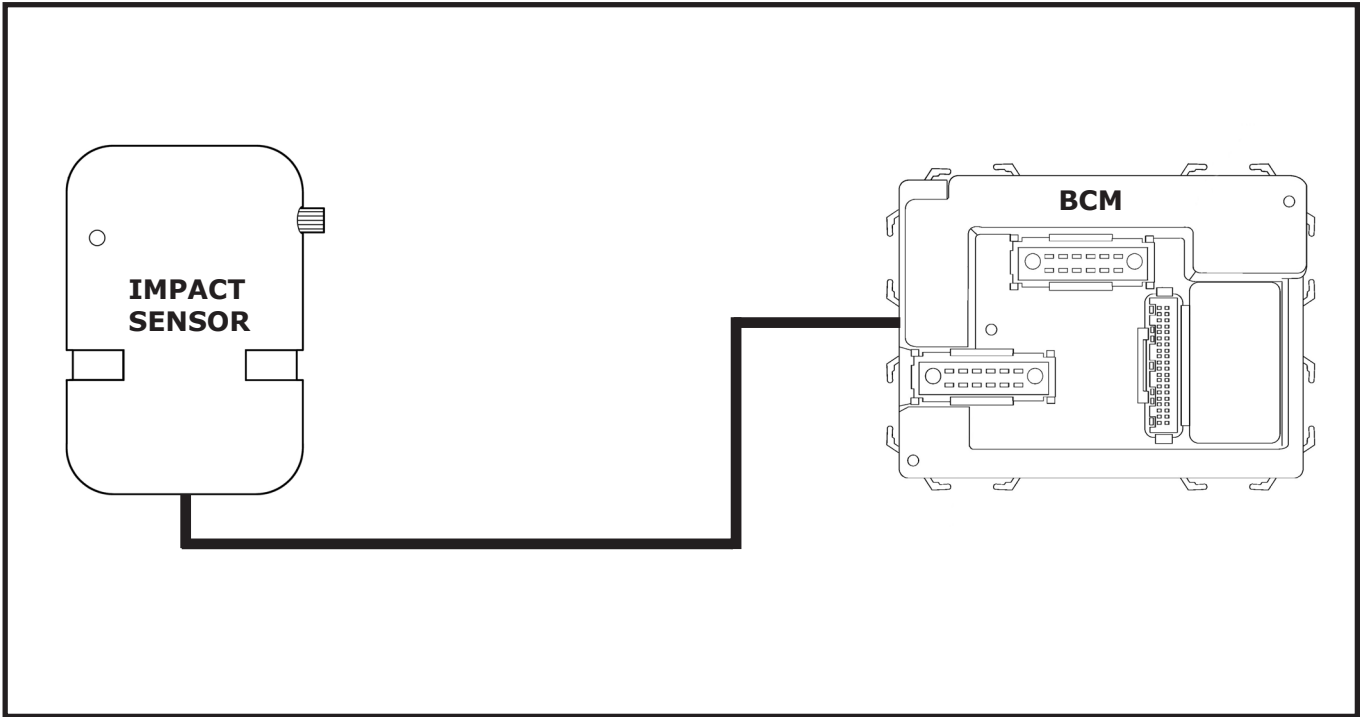
Dealer Installation Recommended. Instructions refer to Service Manual.

CAUTION

- Use caution when removing/re-installing interior components to avoid damage, scratches, or breaking of mounting clips.
- The following steps are critical and must be performed EXACTLY as specified to ensure proper installation:
 - Install Posi-Tap®
 - Mounting of the Impact Sensor.

VEHICLE ALARM IMPACT SENSOR

7. INSTALLATION OVERVIEW



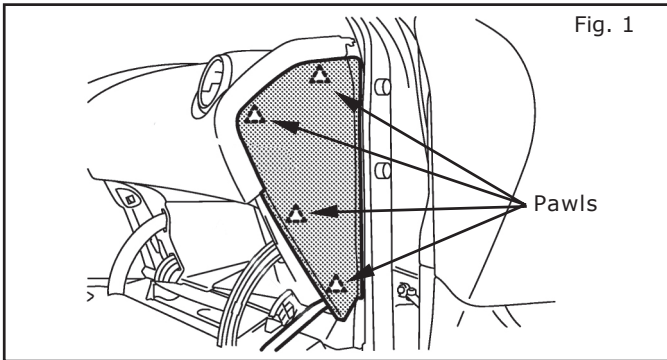
VEHICLE ALARM IMPACT SENSOR

8. VEHICLE PREPERATION

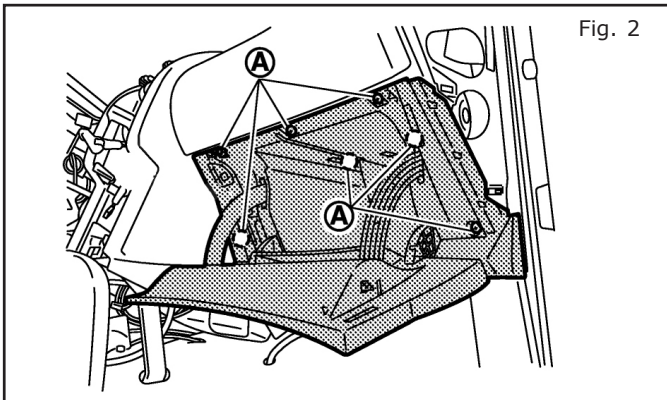
1) Record the customer radio presets.

Preset	1	2	3	4	5	6	7
A							
B							
C							

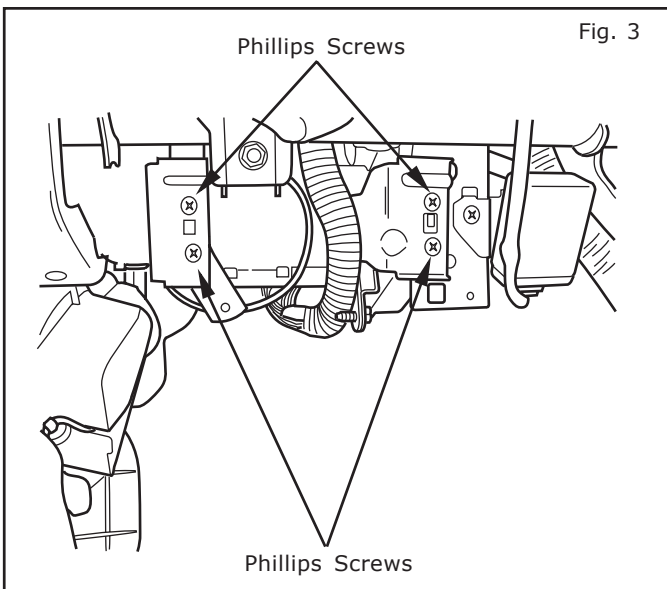
2) Disconnect the battery negative terminal to prevent short circuits during installation.



3) Remove instrument side finisher RH. Fig. 1
 a) Starting at the bottom, insert a removal tool and pry outward to disengage the (5) pawls.



4) Remove glove box assembly. Fig. 2
 a) Remove the glove box screws (A).
 b) Pull backward while disengaging the glove box assembly pawls.
 c) Disengage lamp harness connector, and then remove the glove box assembly.



5) Remove the BCM from the dash assembly. Fig. 3
 a) Remove the (4) phillips screws securing the BCM bracket to the dash assembly.

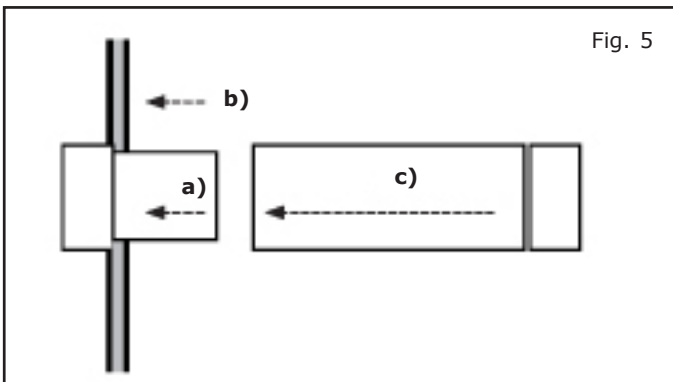
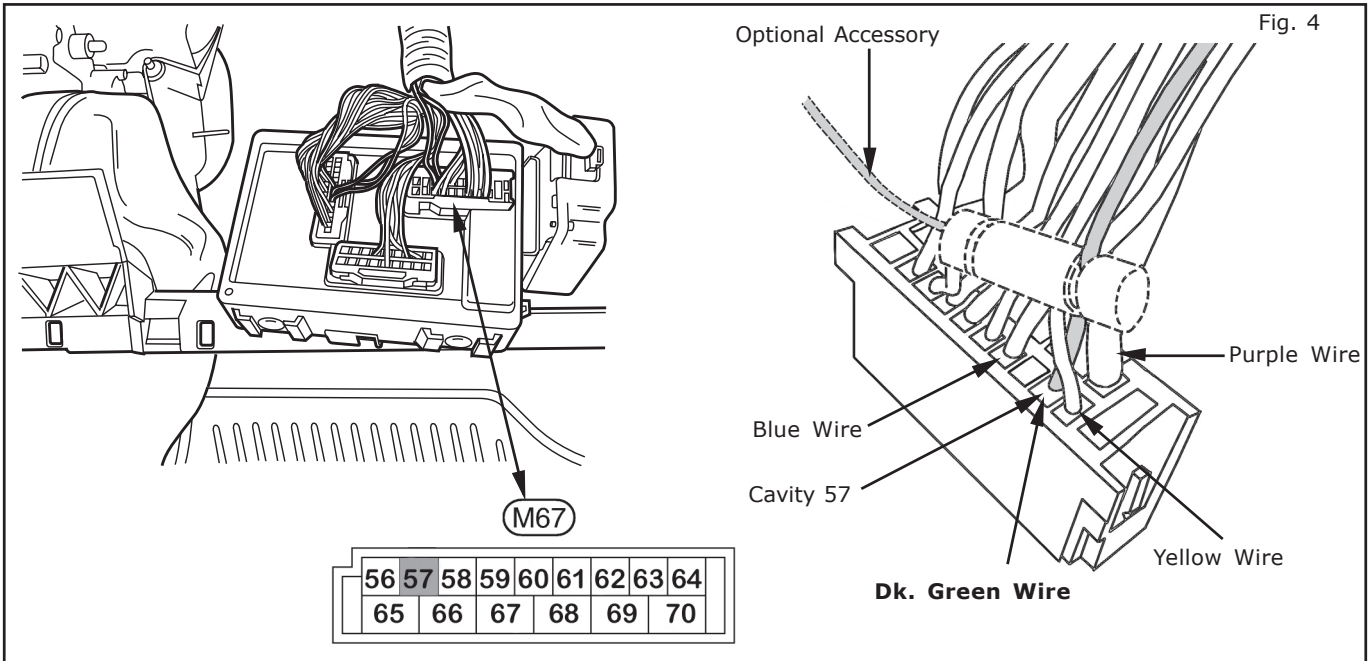
VEHICLE ALARM IMPACT SENSOR

9. INSTALLATION PROCEDURES

⚠ CAUTION

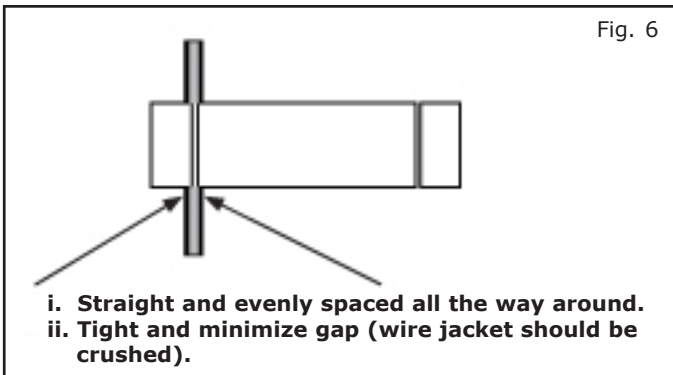
- If vehicle wire is being used by another accessory, tap the other accessory wire and not the vehicle wire.

- 1) Tap the Red wire of the Impact Sensor Harness to the Dk. Green wire, located in cavity 57 of the M67 connector at the BCM. Fig. 4
 - a) See steps 3-7 for Posi-Tap® installation instructions.



- 2) Tap vehicle wire. Fig. 5
 - a) Remove cap (slot side) from tap body.
 - b) Slide cap around vehicle wire.
 - c) Tighten the tap TIGHT with finger pressure.

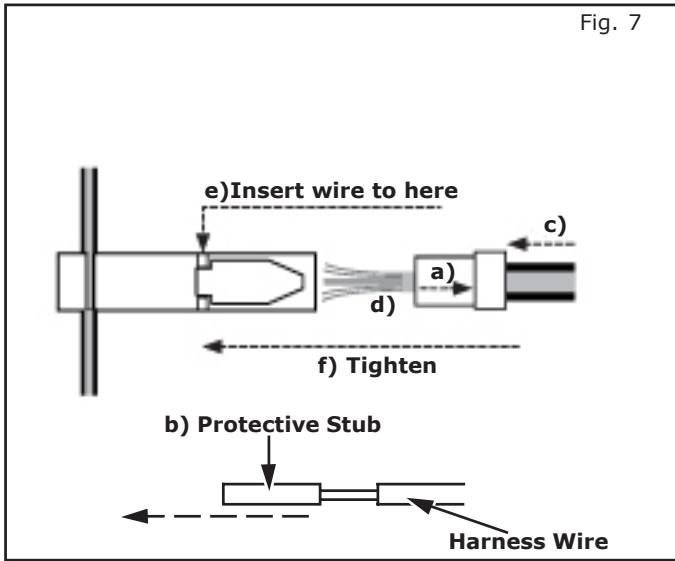
Note:
Do not re-use the tap for subsequent re-installation.



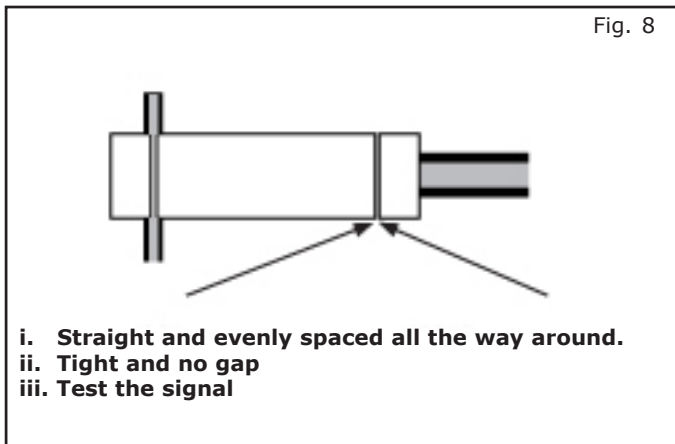
- 3) Inspect the tap to ensure correct installation. Fig. 6

Note:
Avoid putting pressure on the vehicle wire and tap for the rest of the installation.

VEHICLE ALARM IMPACT SENSOR

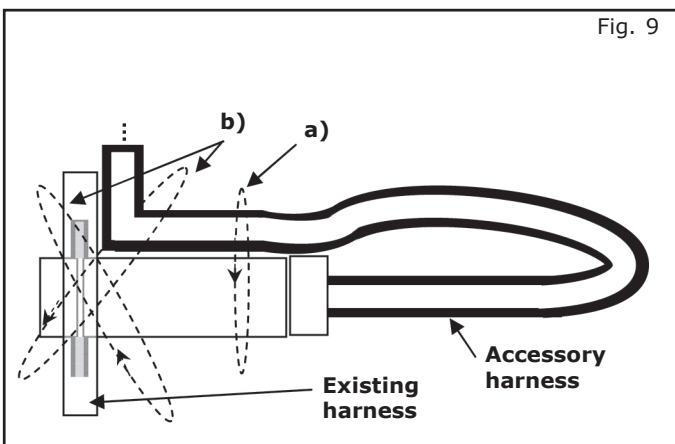


- 4) Tap the Red wire from the Impact Sensor Harness. Fig. 7
 - a) Remove tap (non-pierce) side from tap.
 - b) Remove protective stub from Red wire.
 - c) Insert the Red wire through the non-pierce side opening.
 - d) Spread the individual strands into a fan shape.
 - e) Insert wire into the tap body and ensure that it is all the way in.
 - f) Tighten the tap TIGHT with finger pressure.



- 5) Confirm installation of the tapped accessory wire. Fig. 8
 - a) Inspect the tap to ensure correct installation.
 - b) Test the signal to ensure that it is working properly.

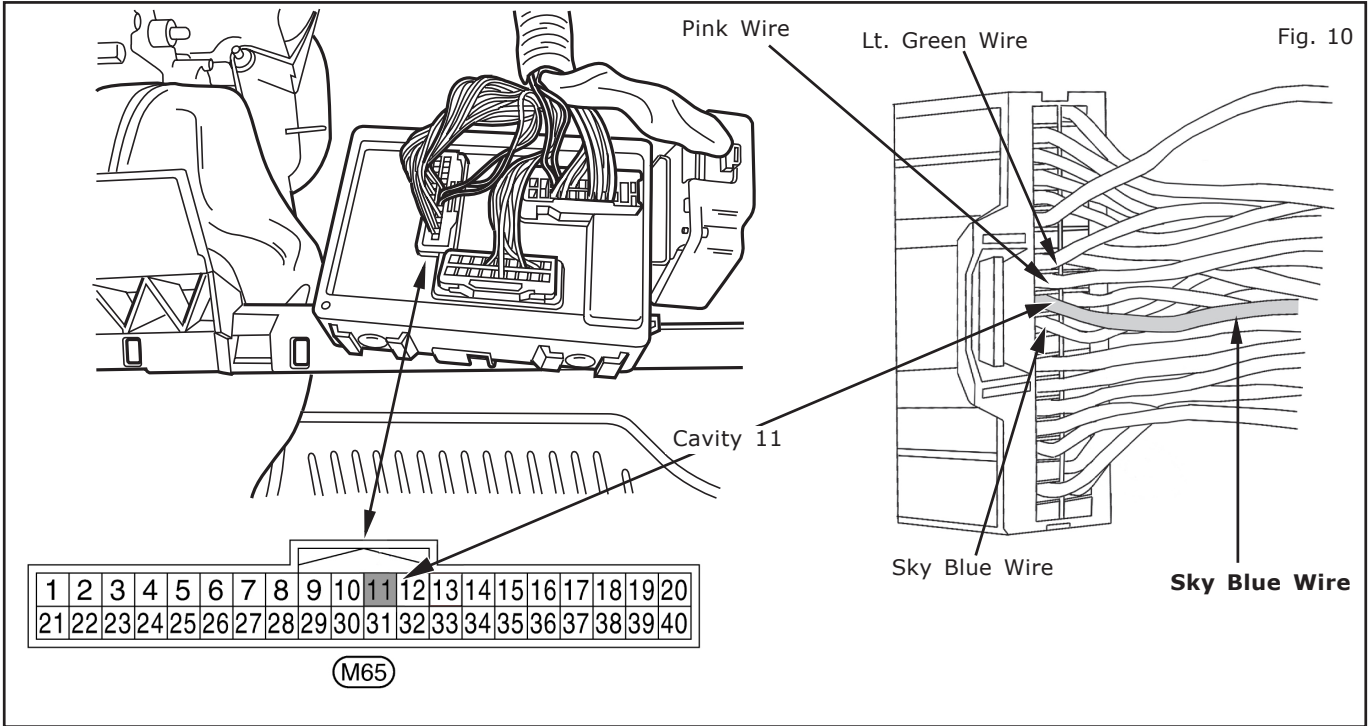
Note:
Avoid putting pressure on the vehicle wire and tap for the rest of the installation.



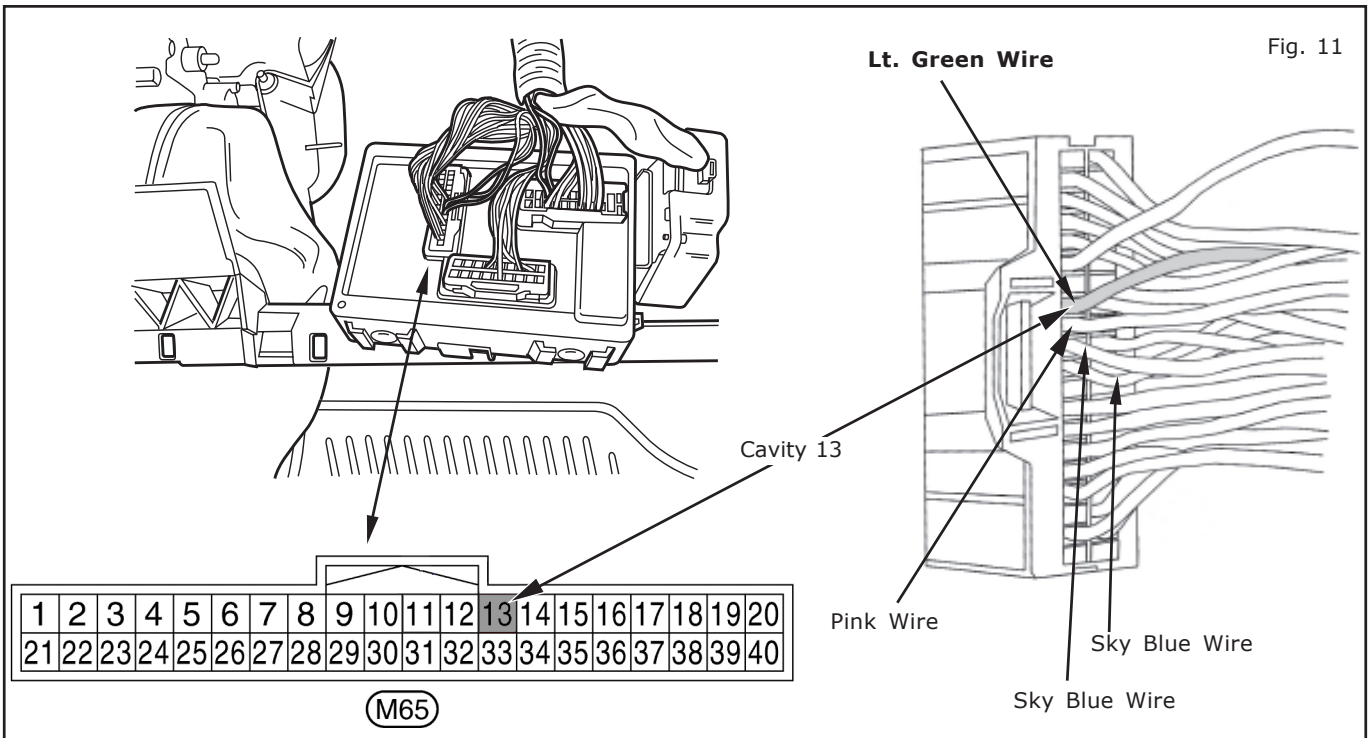
- 6) Secure the tap. Fig. 9
 - a) Secure the tapped wire on the non-pierced side to the body of the posi-tap with electrical tape (≥ 2 revolutions)
 - b) Secure the body to harness where vehicle wire is being tapped with electrical tape (≥ 2 revolutions)

VEHICLE ALARM IMPACT SENSOR

- 7) Tap the Blue wire of the Impact Sensor Harness to the Sky Blue wire, located in cavity 11 of the M65 connector at the BCM. Fig. 10
 a) See steps 3-7 for Posi-Tap® installation instructions.

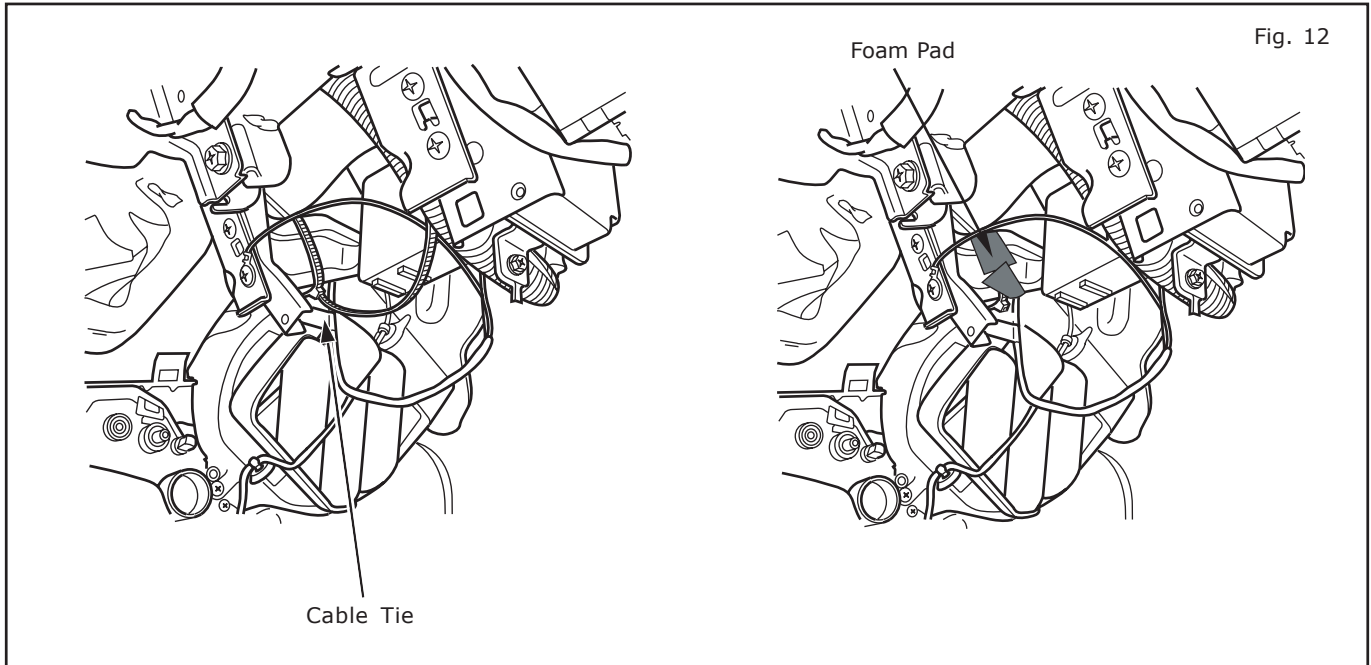


- 8) Tap the Brown wire of the Impact Sensor Harness to the Lt. Green wire, located in cavity 13 of the M65 connector at the BCM. Fig. 11
 a) See steps 3-7 for Posi-Tap® installation instructions.

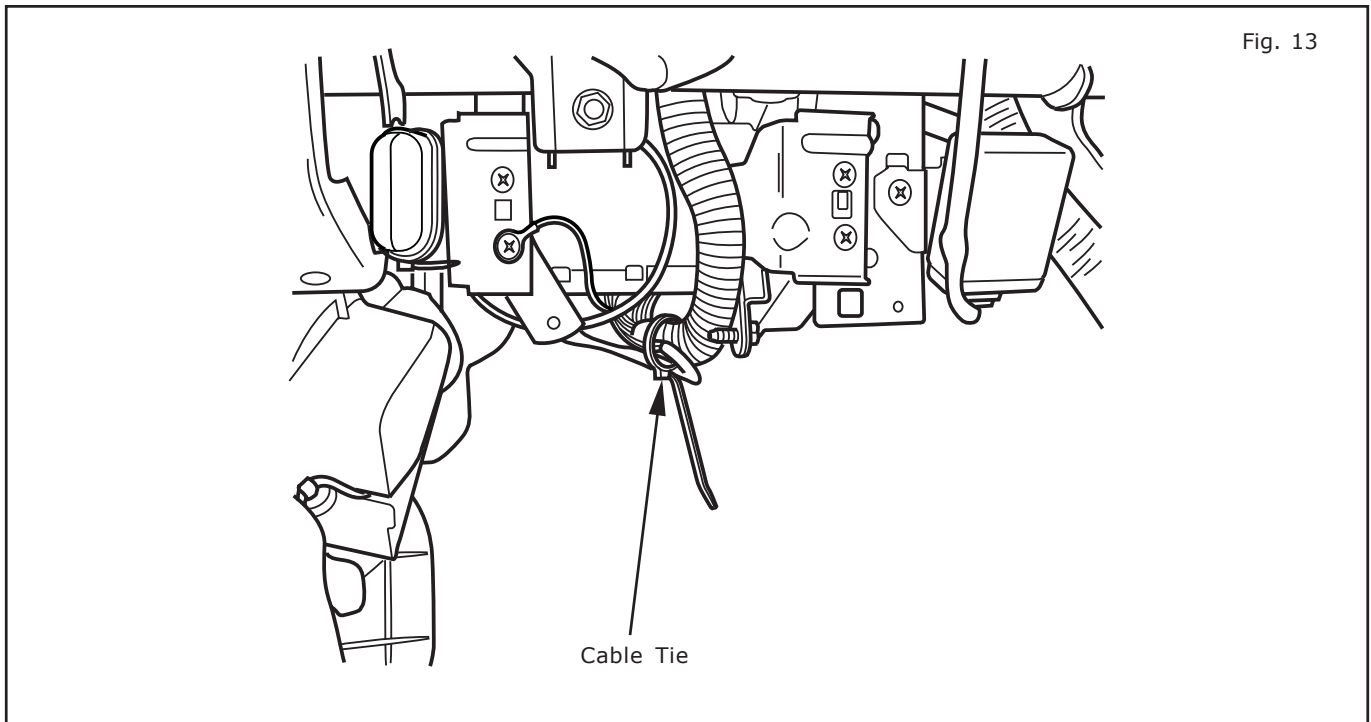


VEHICLE ALARM IMPACT SENSOR

- 9) Secure the Impact Sensor. Fig. 12
- Set the sensitivity of the Impact Sensor to "2" prior to mounting.
 - Secure the Impact Sensor with (1) 14" cable tie, to the factory brace located to the left of the BCM.
 - Trim the excess cable tie end after tightening.
 - Wrap the Impact Sensor with the provided foam pad around impact sensor, cable tie and metal brace. Do not cover up the sensitivity adjustment knob.



- 10) Secure the Impact Sensor. Fig. 13
- Secure the Impact Sensor Harness with (1) cable tie to the factory harness that is connected to the BCM.
 - Trim the excess cable tie end after tightening.



VEHICLE ALARM IMPACT SENSOR

10. FUNCTIONALITY TEST PROCEDURE

- 1) Reconnect the negative battery cable.
- 2) Open the driver's window and exit the vehicle.
- 3) Close all doors and arm the security system using the transmitter.
- 4) The security light in the dash should come on solid for 30 seconds and then start to blink.
- 5) Trigger the security system by slapping the steering wheel.
- 6) The interior lights should briefly come on and then turn off, and the horn should start honking.
- 7) Disarm the security system using the transmitter.
- 8) Close all doors and arm the security system using the transmitter.
- 9) The security light in the dash should come on solid for 30 seconds and then start to blink.
- 10) Pull door handle and verify that the interior light does not come on and the horn does not start honking.
- 11) If necessary, follow section 13 to adjust sensitivity of Impact Sensor
- 12) Enter the vehicle, close the door and set the IGN Switch to On.
- 13) Slap the steering wheel with enough force that would trigger the security system.
- 14) Verify that the interior light does not come on and the horn does not start honking.

11. REINSTALLATION OF REMOVED PARTS

- 1) Reinstall all removed vehicle parts. Refer to the service manual for the vehicle as necessary.
- 2) Be sure to engage all the clips on the interior finish panels.
- 3) Reprogram radio presets.
- 4) Clean the vehicle interior.

12. FINAL INSPECTION

- 1) Inspect the vehicle interior and exterior for damage.
- 2) Start vehicle and verify that there are no DTC indicators on the meter.
- 3) Place the Quick Reference Guide into vehicle's glovebox.

13. IMPACT SENSOR ADJUSTMENT PROCEDURE

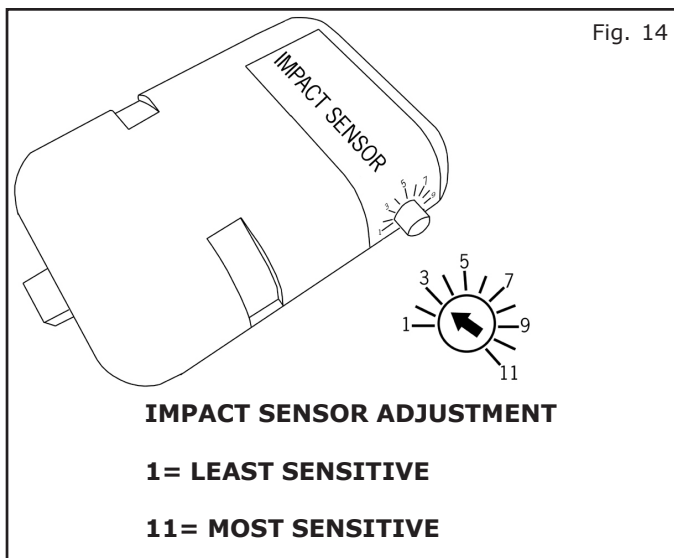


Fig. 14

- 1) In the event of customer complaint, Please use the following procedure. Fig. 14
 - a) Roll the driver's window down.
 - b) Close all doors and press the lock button on the transmitter.
 - c) Wait until the anti-theft light changes from solid to blinking
 - d) Lightly slap the steering wheel.
 - e) The vehicle alarm should trigger and the horn should be beeping.
 - f) Disarm the vehicle with the transmitter.
 - g) Adjust the sensitivity of the Impact Sensor by turning the knob located on the side, clock-wise for increased sensitivity, counter clock-wise for decreased sensitivity.
 - h) Repeat steps "b" - "g" until desired results are achieved.