



## GENUINE PARTS

### INSTALLATION INSTRUCTIONS

1. **DESCRIPTION:** 7 Pin Trailer Harness Kit

2. **APPLICATION:** FRONTIER

#### **Caution**

##### Trailer Brakes

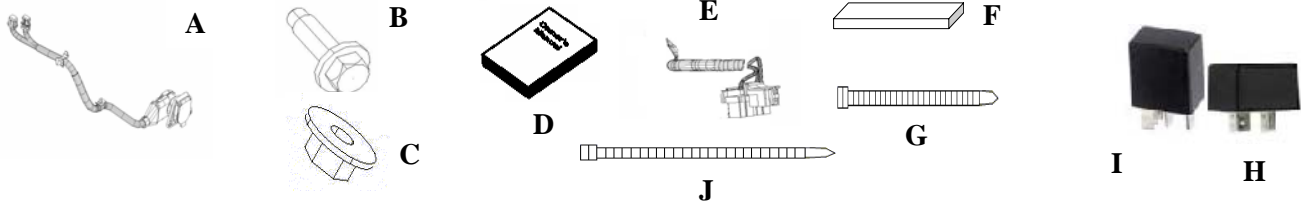
The vehicle wiring provides circuits for trailer brakes but does not provide power. Electrical Power for Operation of Trailer brakes requires installation of additional components:

1. Jumper harness Part Number 24167 7S000 available from your Nissan Dealer.
2. Trailer brake controller unit – Available from most trailer supply stores.

3. **PART NUMBER:** 999T8 BR010

#### 4. **KIT CONTENTS:**

Item	Qty	Description	Part Number	Service Part Number
A	1	Harness Jumper	999T8 BR001	N/R
B	2	M6 bolt	47604 AL50A	N/R
C	2	M6 nut	89-18106-2A	N/R
D	1	Installation manual	999T8 BR000II	N/R
E	1	Relay Jumper	999T8 BR300	N/R
F	1	Urethane tape	999T8 BR100	N/R
G	2	Small Tie-strap	999T8 BR200	N/R
H	1	Relay (brown)	25230 79964 or 79963	N/R
I	2	Relay (blue)	25230 79915 or 79917	N/R
J	1	Large Tie-Strap	N/R	N/R



#### 5. **TOOLS REQUIRED:**

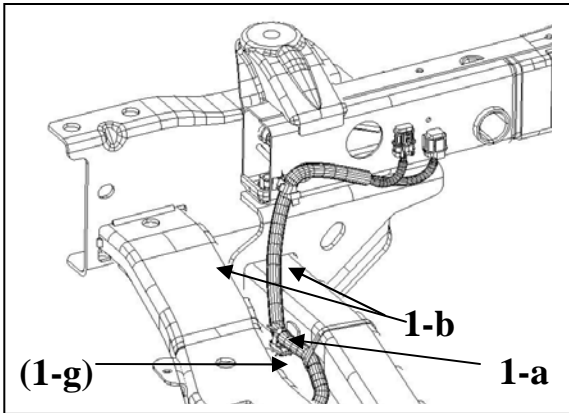
- 10mm socket wrench
- 10mm combo wrench
- Screw-driver

#### 6. **INSTALLATION PRECAUTIONS / NOTES:**

- 1) Park the vehicle on flat level ground.
- 2) Set ignition to off position.
- 3) After the connectors are securely latched together, confirm they remained securely attached to the frame. Re-attach the connectors to the frame tabs, or tie wrap if necessary to assure the connectors will not rattle.
- 4) Check that all vehicle lighting systems are functional and use a test light or test plug to confirm trailer lighting function.

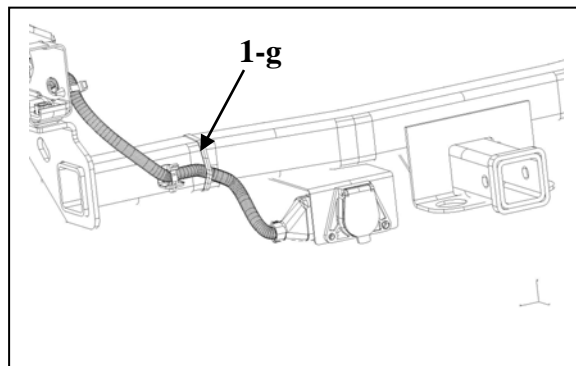
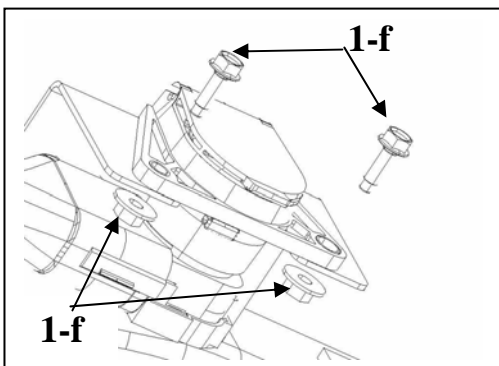
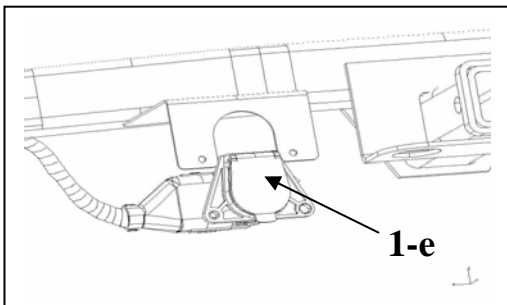
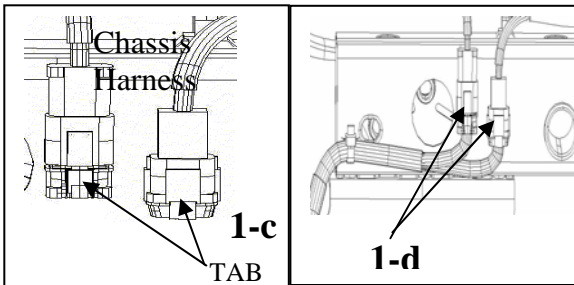
# INSTALLATION INSTRUCTIONS

## 7. INSTALLATION PROCEDURE



### 1) INSTALL THE 7 PIN TRAILER HARNESS KIT

- Attach the brown clip.
- Route the jumper between the hitch assembly and the bumper as shown then attach the second clip to the frame.
- Remove the two dummy plugs from the inline on the chassis side (already in the truck). Using a screw-driver, push the tab in and slide the plug out.
- Connect the inline connectors (make sure the connectors are fully inserted and secured).
- Slide connector onto the bracket and align connector holes with bracket holes.
- Using the (2) M6 bolts, secure the connector to the bracket as shown. Make sure the nuts are on the hidden side of the bracket and the bolts are in the visible side. (torque of 5-7Nm)
- Use Large Tie Strap band to fasten bundle to the Hitch as indicated.



5-7 Nm



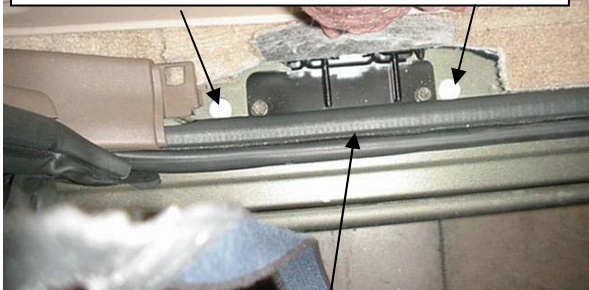
# INSTALLATION INSTRUCTIONS



## Caution:

- Ensure that ignition is off.
- Avoid the airbag side sensor located under the kickplate

After removing the kick plate, remove these two fasteners from the vehicle sill. Use caution to avoid damaging air bag sensors that may be located in this area on some vehicles.



## 2) INSTALL RELAY JUMPER

- a) Remove the kick plate and side trim located in the front passenger side by pulling following the arrows direction. Remove and **save** the two white clips from the vehicle sill for reinstallation in step 2-h.

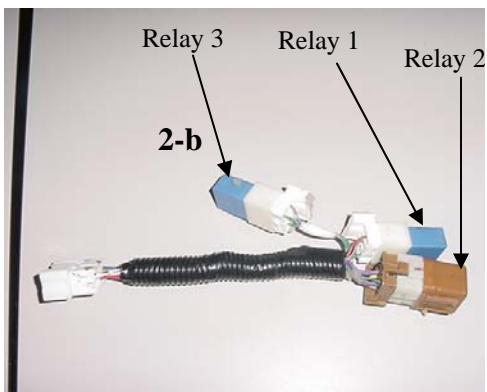
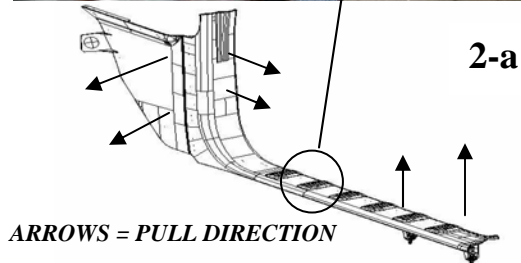
- b) Insert the relays in the relay sub harness as shown and as follows:

For Manual Transmission: Install relays 1, 2, and 3 (one brown & two blue)

**Note:** branch for relay 3 is marked with white tape

For Auto Transmission: Install only relays 1 and 2 (one brown & one blue)

- c) Wrap the branches together with foam tape as shown. Wrap all, even if relay 3 is not there (for auto trans.)
- d) Connect the relay jumper connector to the inline behind the bracket. (inline connector is taped back, break the tape)



2-c

## INSTALLATION INSTRUCTIONS



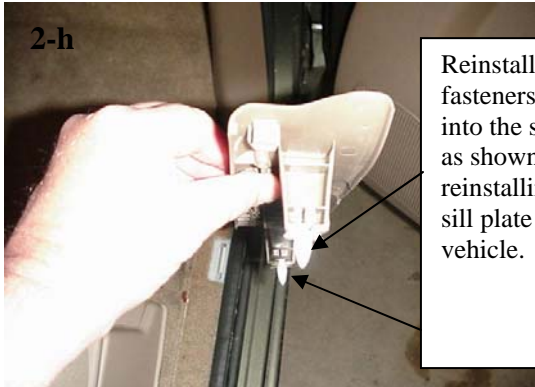
With AMP:  
Secure to  
harness above  
lower connector.

2-f



Without AMP:  
Secure to lower  
bracket opening.

- e) Secure the relay bundle as shown in photos.
  - f) Use Small Tie Strap provided. Attach the relay bundle to the bracket based on the following options (with or without AMP) see pictures.
  - g) Push excess sub harness away from kick plate.
  - h) Reinstall the kick plate and side trim. Make sure they are secured by the clips. (clips maybe stuck in the holes, therefore remove them prior to reinstalling the kick plate.
- Caution:** Do not damage side airbag sensor while removing the clips.



Reinstall the fasteners back into the sill plate as shown before reinstalling the sill plate on the vehicle.



### 3) Trailer Brake Electrical Connector Location

- a) The connector for the controller unit jumper is located in the steering column area, beside the diagnostic connector. This branch is taped back, break the tape to access the connector.
- b) For trailer brake function, install trailer brake controller using controller manufactures instructions and the adapter harness specified in the application notes. Plug the adapter harness to the vehicle connector shown in the photo.

### 4) Function check

- a) Visual check vehicle lighting functions for brake lights, turn, tail and backup. Test light, check power to trailer connector for brake light, turn signal lights and tail lights, and to trailer brake circuits if trailer brake controller was installed.