



GENUINE PARTS

INSTALLATION INSTRUCTIONS

DESCRIPTION: Vehicle Tracking and Recovery System

APPLICATION: Maxima (2008)

PART NUMBER: 999Q8 VW000

KIT CONTENTS:

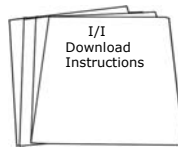
Item	Qty.	Part Description	Service Part Number
A	1	GPS Control Module	99Q8 VW000S1
B	1	Wire Harness	99Q8 VW000S2
C	1	I/I Download Instructions	999V2 AW000
D	1	Owners Manual	
E	1	Activation Card (included in owners manual)	
F	8	6" Cable Ties	
G	2	12" Cable Ties	
H	1	Foam Pad (on module)	
I	10	Foam Tape	
J	2	Posi-Taps	999M1 VT000
K	1	Mirror Hanger (Nissan VTRS information)	
L	1	Alcohol wipe	



A



B



C



D



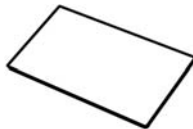
E



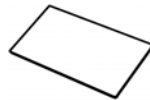
F



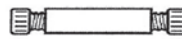
G



H



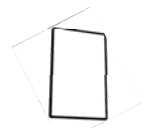
I



J



K



L

TOOLS REQUIRED:

- Ratchet
- 10mm socket
- #2 Phillips screwdriver
- Plastic pry bar
- 8mm socket
- Wire cutter

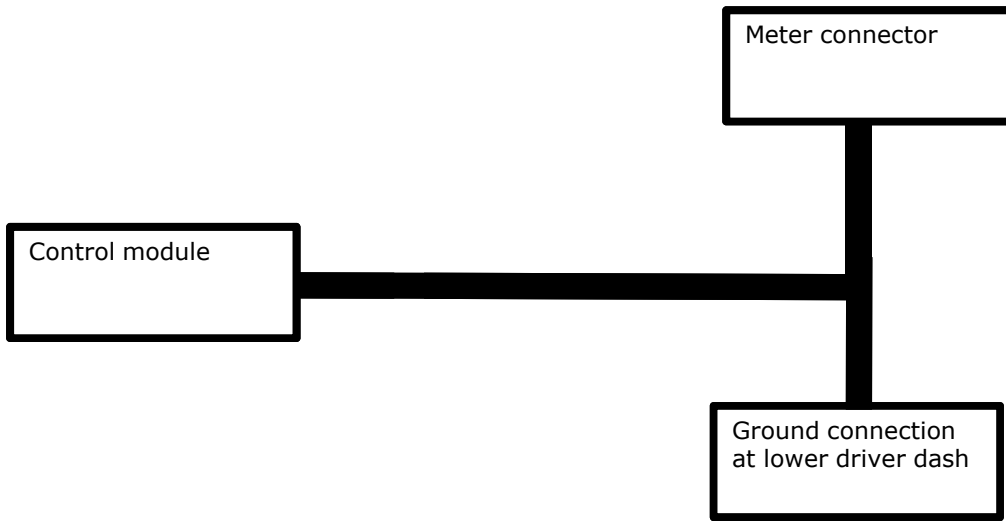
PRE-INSTALLATION WARNINGS, CAUTIONS, CRITICAL STEPS, and NOTES:

- Dealer Installation Recommended. Instructions may refer to service manual.
- This part is to be installed at a surface temperature of 65-100°F.
- Posi-Tap instructions must be followed exactly as described in this instruction

INSTALLATION OVERVIEW:

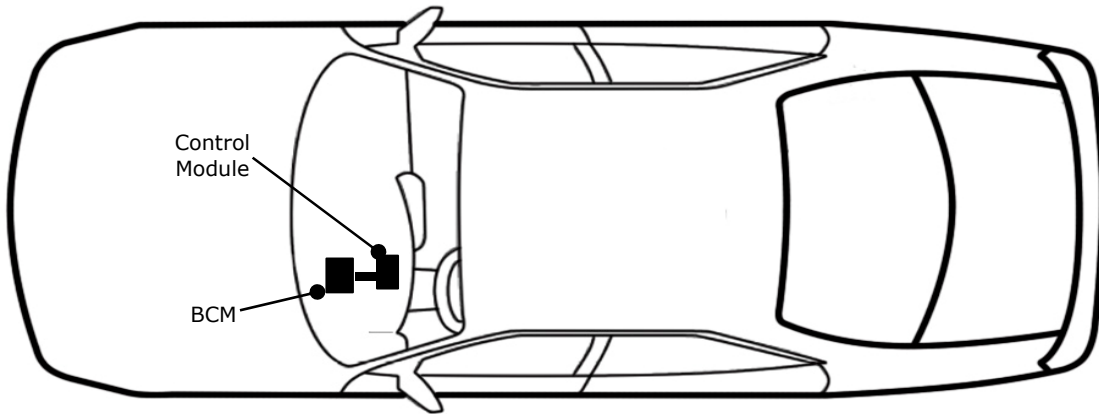
System Block Diagram

Fig.1



Vehicle outline with installation overview

Fig.2

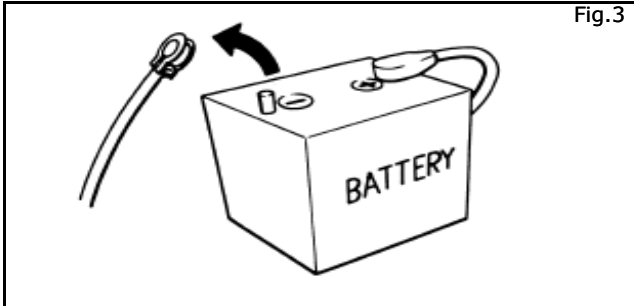


INSTALLATION PROCEDURE:

- 1) Apply parking brake
- 2) Turn ignition switch to "ON" position
- 3) Record the customer radio presets and other presets as required

Preset	1	2	3	4	5	6	7	

- 4) Put the shift lever in "P" position for A/T or "1st" for M/T
- 5) Turn the ignition switch to "OFF" position

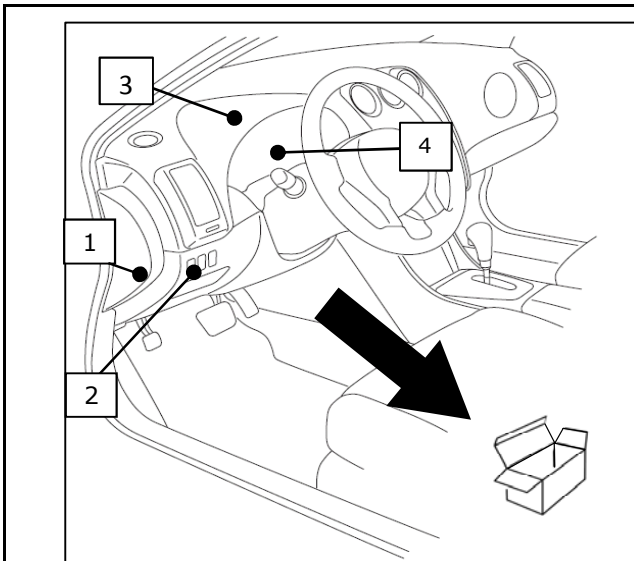


- 6) Disconnect the negative battery terminal

CAUTION

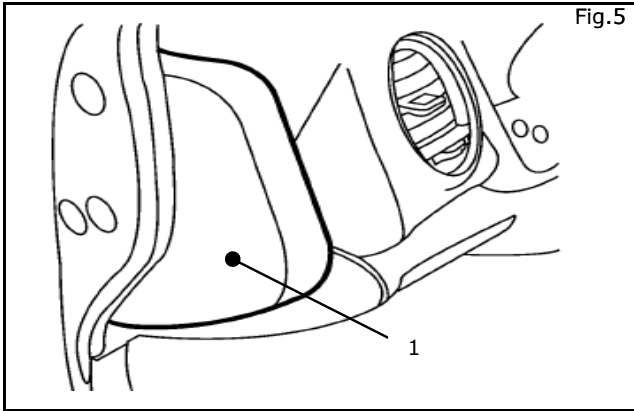
- Take care not to scratch or damage any component during the removal or re-installation process.
- Trim pieces found to have witness marks or broken clips are not to be reinstalled.

- 7) Remove the following vehicle parts in the sequence shown below. Store these re-usable parts in a safe and protected manner.

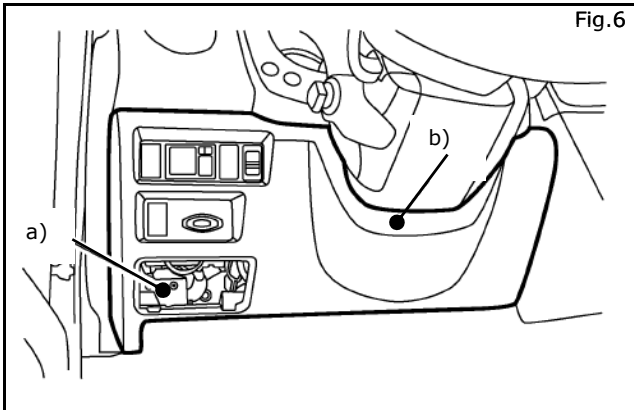


1. Instrument side mask
2. Instrument lower cover
3. Instrument panel trim
4. Instrument panel

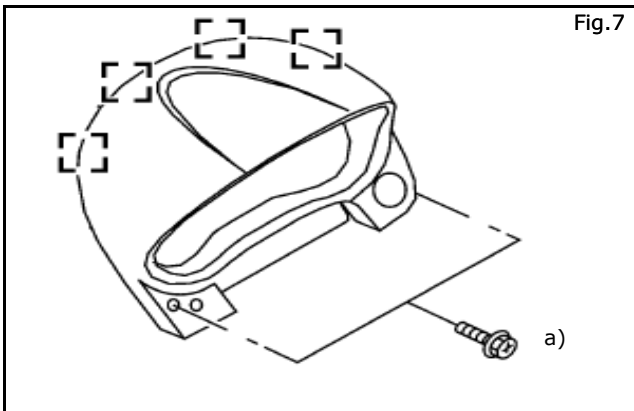
INSTALLATION PROCEDURE:



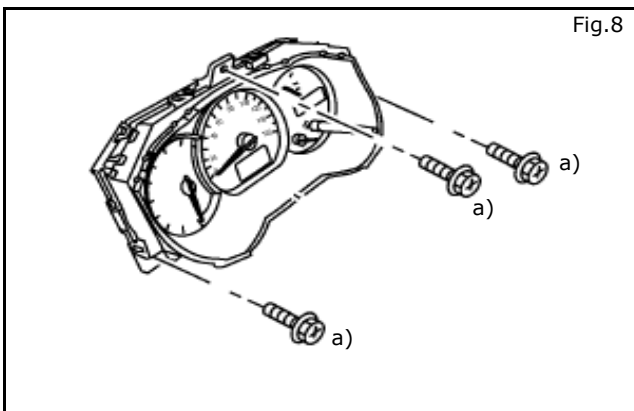
- 8) Remove the instrument side mask (1)



- 9) Remove the instrument lower cover
 - a) Open fuse block cover, remove serew
 - b) Remove instument lower cover, remove harness connectors and aspirator tube



- 10) Remove the cluster lid
 - a) Remove (2) #2 phillips screws
 - b) Remove the cluster lid



- 11) Remove the combination meter
 - a) Remove (3) #2 phillips screws
 - b) Remove combination meter and disconnect harness

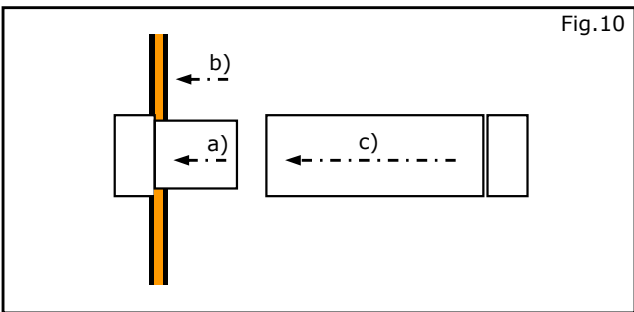
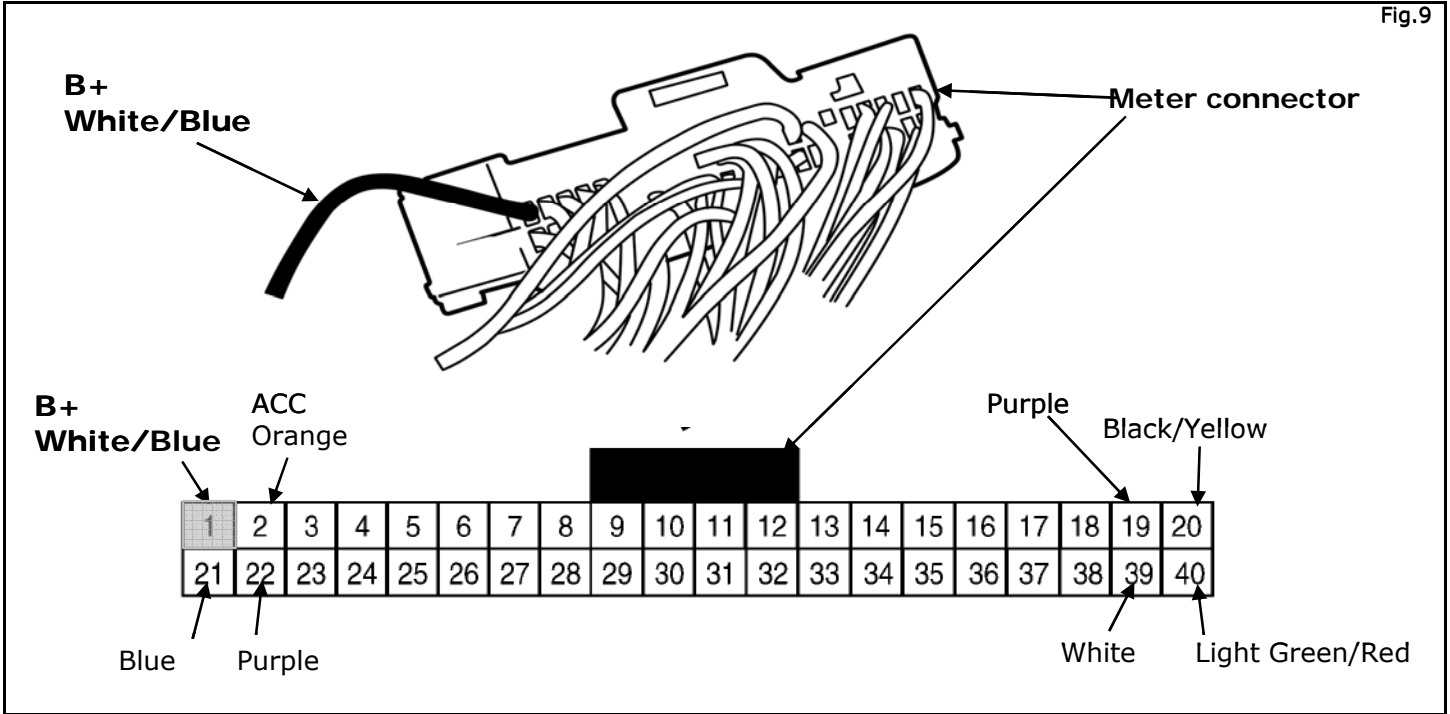
INSTALLATION PROCEDURE:

CAUTION

- Color(s) given in illustration(s) are for reference only. Use location(s) where color deviates.
- If a vehicle wire is being used by another accessory and a posi-Tap is present, tap the accessory wire not the vehicle wire

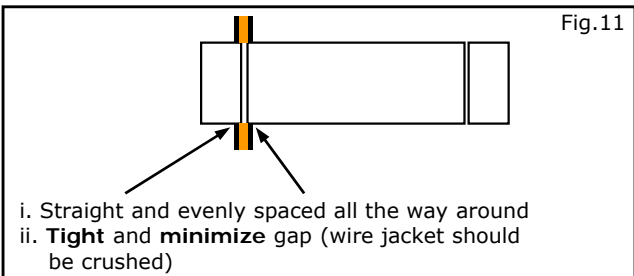
8) Tap the Vehicle Tracking and Recovery System Red wire to the vehicle White/Blue B+ wire.

Fig.9



- 9) Tap vehicle wire.
- Remove cap (slot side) from the tap body
 - Slide cap around vehicle wire.
 - Tighten the tap **TIGHT** with finger pressure.

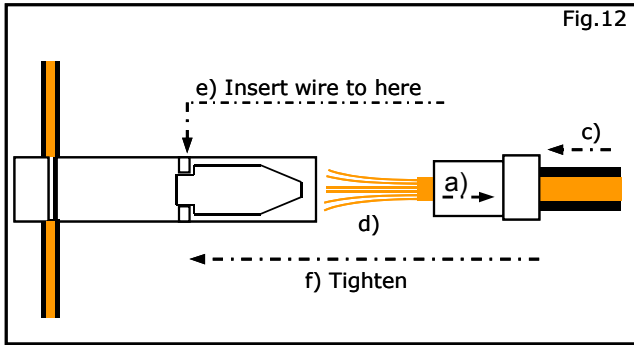
NOTE:
Do not re-use the tap for subsequent re-installation. Figures are not to scale.



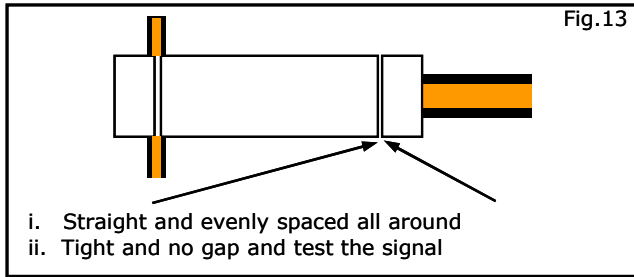
- 10) Inspect the tap to ensure correct installation.

NOTE:
Avoid putting pressure on the vehicle wire and tap for the remainder of the installation.

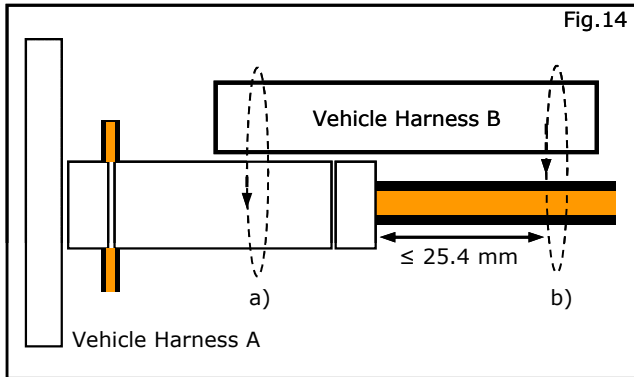
INSTALLATION PROCEDURE:



- 11) Tap accessory wire.
 - a) Remove tap (non-pierce) side from tap.
 - b) Remove the protective stub from the wire.
 - c) Insert wire through the non-pierce side opening.
 - d) Spread the individual strands into fan shape.
 - e) Insert wire into the tap body and ensure that it is all the way in.
 - f) Tighten the tap **TIGHT** with finger pressure.

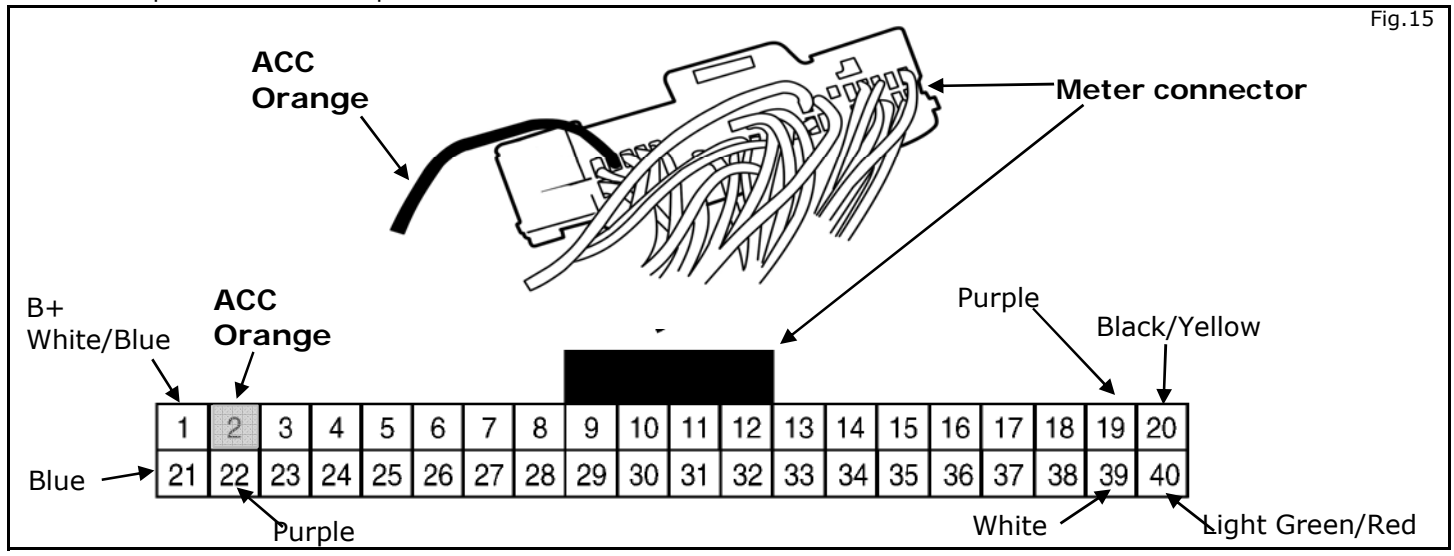


- 12) Confirm the tapped accessory wire.
 - a) Inspect the tap to ensure correct installation.
 - b) Test the signal to ensure that it is working properly.

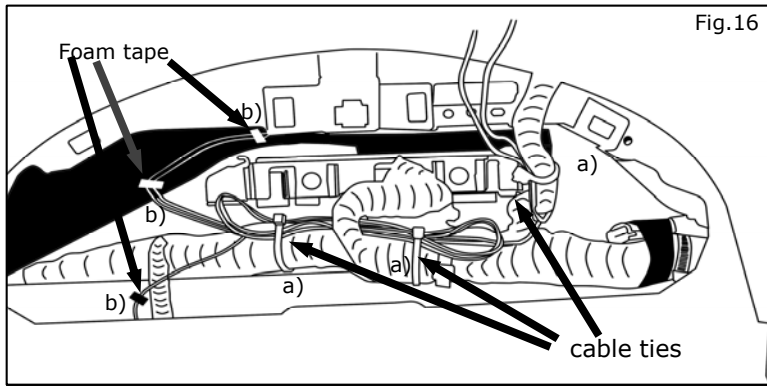


- 13) Secure the tap.
 - a) Secure the tapped wire on the non-pierce side to an existing anchor point such as harness, clip, metal structure, etc. within 1" (25.4 mm) with electrical tape (≥ 2 revolutions)
 - b) Secure the body to an existing anchor point such as harness, clip, metal structure, etc. nearby with cable tie or electrical tape (≥ 2 revolutions).

- 14) Tap the Vehicle Tracking and Recovery System Brown wire to the vehicle Orange ACC wire.
See steps 9-13 for wire tap installation instructions.

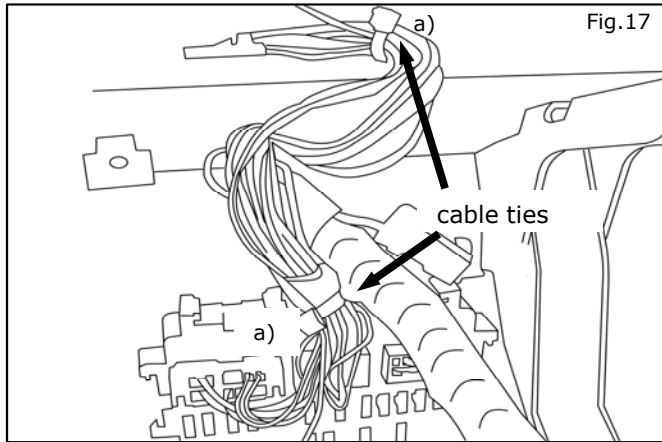


INSTALLATION PROCEDURE:



15) Route the wire harness

- a) Attach cable ties as indicated. Route Vehicle Tracking and Recovery System harness to the Meter Connector.
- b) Secure harness with foam tape



- c) Route ground wire to fuse box. Attach cable ties as indicated

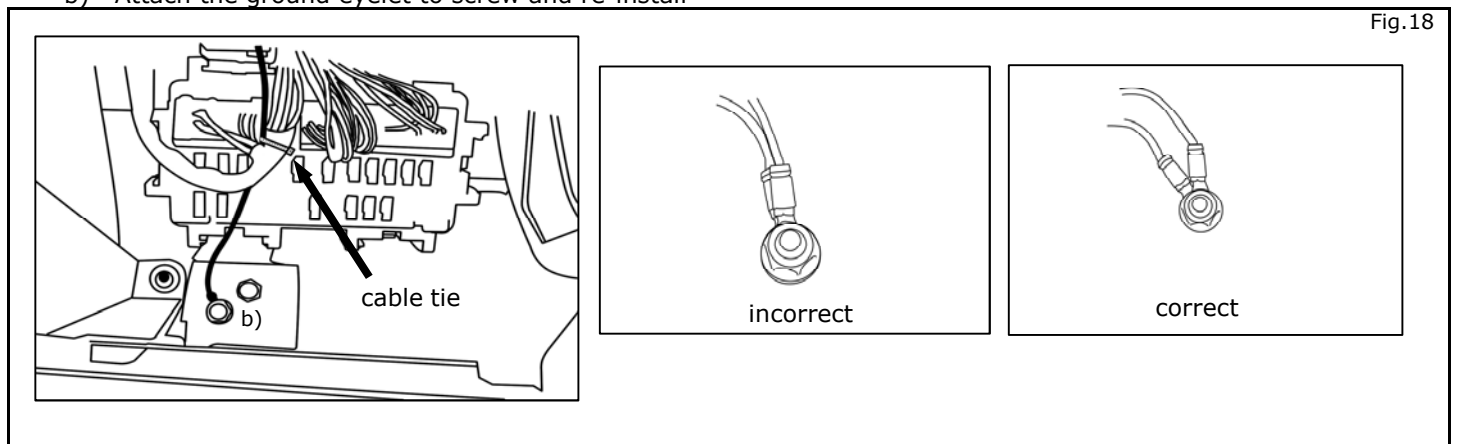


CAUTION

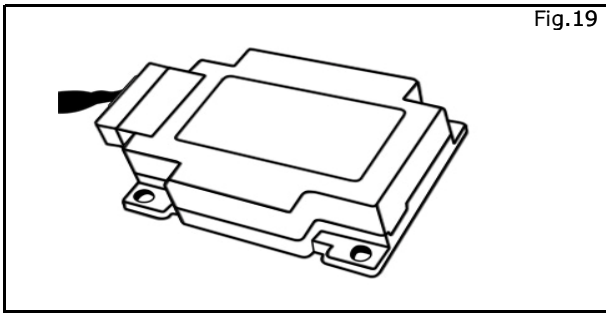
- When stacking multiple ground eyelets, **DO NOT** stack the stems of the eyelet
- When stacking multiple ground eyelets, leave a 30° spacing between the stems of the eyelet

16) Connect the ground

- a) Remove the 8mm bolt in figure
- b) Attach the ground eyelet to screw and re-install



INSTALLATION PROCEDURE:

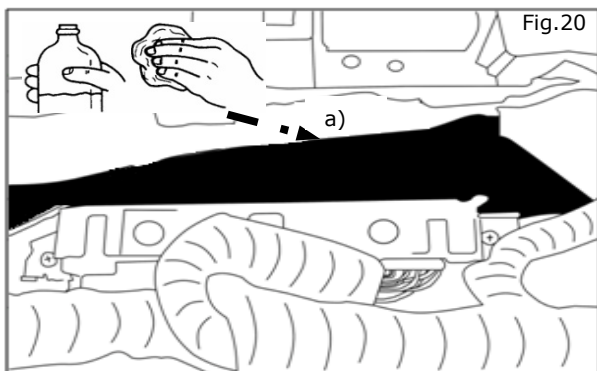


17) Connect the harness to the Control Module

ACCESSORY CHECK:

- Connect all vehicle harness connections (without re-assemble)
- Connect the battery negative terminal.
- Check all **Critical Installation Steps**.
- Verify all wiring is secure and not exposed.
- Trim all excess cable ties flush.
- Verify the Control Module Diagnostic L.E.D.'s are blinking Green
- Verify proper Diagnostic L.E.D. blinking pattern (without engine start)
 - Turn ignition switch to "OFF" position, the Green L.E.D. will blink brightly once every three seconds
 - Turn ignition switch to "ON" position for ten seconds, the Green L.E.D. will continue to blink brightly once every three seconds
 - Turn ignition switch to "OFF" position, the Green L.E.D. will be dim and blink once every three seconds
- Secure mirror hanger to rear view mirror
- Disconnect the negative battery terminal

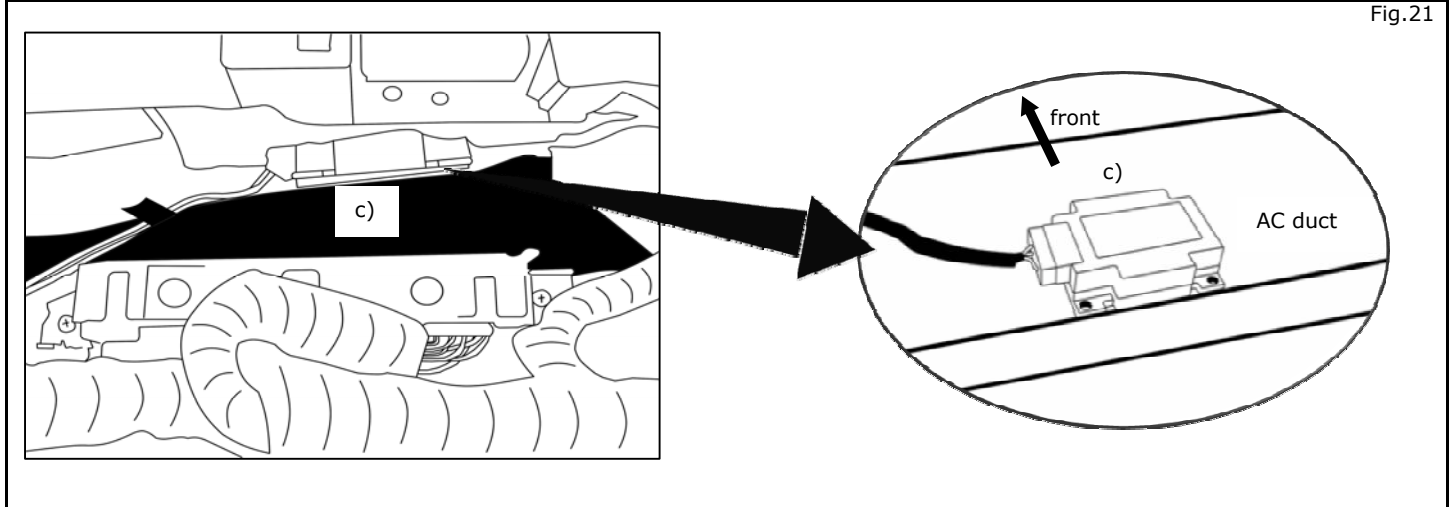
INSTALLATION PROCEDURE:



- 18) Prepare the module
- a) Clean installation surface with $\geq 90\%$ alcohol/water solution.
 - b) Peel tape liner from foam pad on Module

RE-INSTALLATION OF REMOVED PARTS:

- c) Adhere module to the air duct.



- 19) Re-install all removed vehicle parts. Refer to the vehicle service manual for more details.

CAUTION

- Use caution when re-installing interior components to avoid damage, scratches, or breaking of mounting clips. Refer to the vehicle service manual for more information.

FINAL INSPECTION:

- Verify re-installed trim parts for proper flush fit (no gap, no waviness, etc.).
- Verify all clips are fully engaged and locked.
- Verify re-installed trim parts are free from cracks, scratches or stress marks.
- Verify vehicle headliner, seat, steering wheel, center console, floor carpets, etc. are not soiled.
- Verify interior and exterior is not damaged.
- Connect the battery negative terminal.
- Turn ignition switch to "ON" and confirm proper operation of Vehicle Systems
 - If equipped, verify all window and sunroof one touch operation and perform the reset procedure if necessary. Refer to the vehicle service manual for more details.
 - Confirm proper audio function (AM, FM, SAT, CD and AUX).
- Re-program radio presets and other vehicle settings to the recorded settings.
- Start engine and verify that there are no new Diagnostic Trouble Codes and the Meter is functional.
 - Verify Traction Control Switch is functional.
 - Verify Power Mirror Switch is functional.

FINAL INSPECTION:

- Verify Heated Steering Wheel Switch is functional (if equipped)
- Verify Trunk Release Switch is functional
- Verify Rear Sunshade Switch is functional (if equipped)
- Turn Ignition switch to "OFF" position
- Place the Owner Manual, Quick Reference Guide, and/or other Manual in the glove box.

Posi-Tap™ is protected by patent # 5,228,875 5,695,369 5,868,589 6,692,313 Jap 2881414 Aus 708700 Tia 103534
Can 2204826 Mex 200626 Korea 477279 China Z197105562.9 & others pending.