

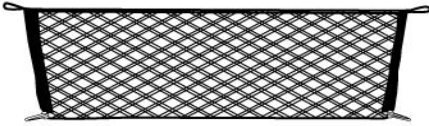


GENUINE PARTS




INSTALLATION INSTRUCTIONS

DESCRIPTION: Cargo Net		
APPLICATION: JX35, Pathfinder		
PART NUMBER: 999C1 RZ000		
KIT CONTENTS:		
Item	Qty.	Part Description
A	1	Cargo Net
B	1	Installation Instructions



A



B

TOOLS REQUIRED:

- No tools required

PRE-INSTALLATION WARNINGS, CAUTIONS, CRITICAL STEPS, and NOTES:

- Ensure that net is securely attached so items do not fall out during transit.
- Keep this installation instruction sheet with the Vehicle Owner's Manual for future reference.
- Max load not to exceed 30 lbs.

NOTE:
Take proper care installing the cargo net to the correct mounting locations, as shown.
Using incorrect attachment locations could result in damage to the vehicle.

INSTALLATION PROCEDURE:

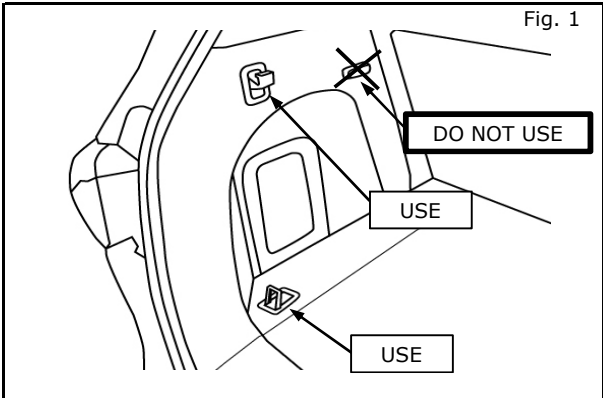


Fig. 1

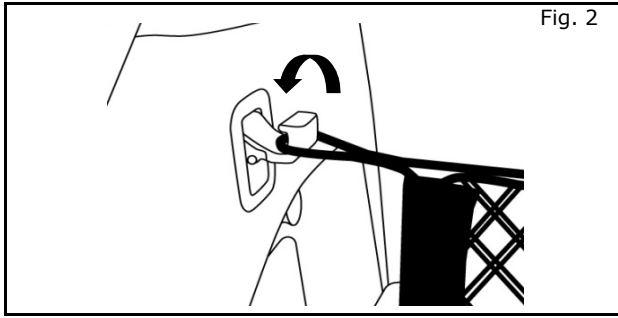
- 1) Locate 4 attachment points in cargo area (driver side shown).

NOTE:

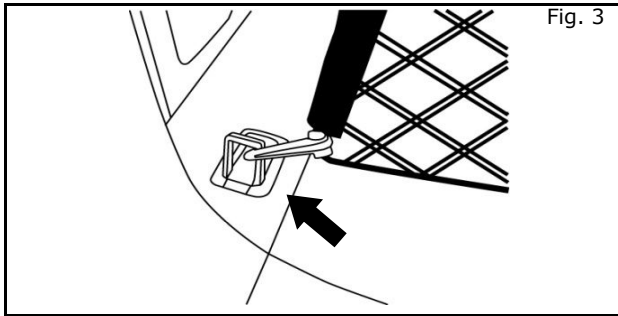
- Do not use clip location as shown. Damage to the vehicle may occur.

- 2) Position net so loops are toward top and hooks are toward bottom.

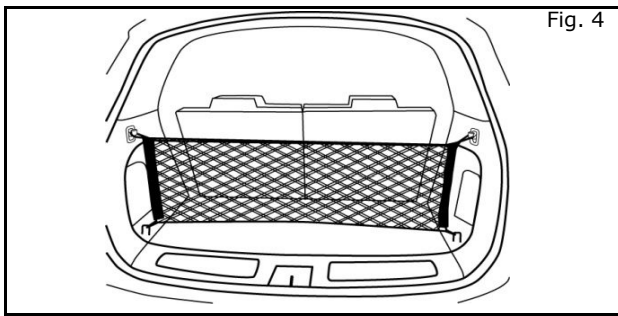
INSTALLATION PROCEDURE:



3) Attach net loops to upper hooks (driver side shown).



4) Attach net hooks to lower clips (driver side shown).



5) Installed cargo net shown.